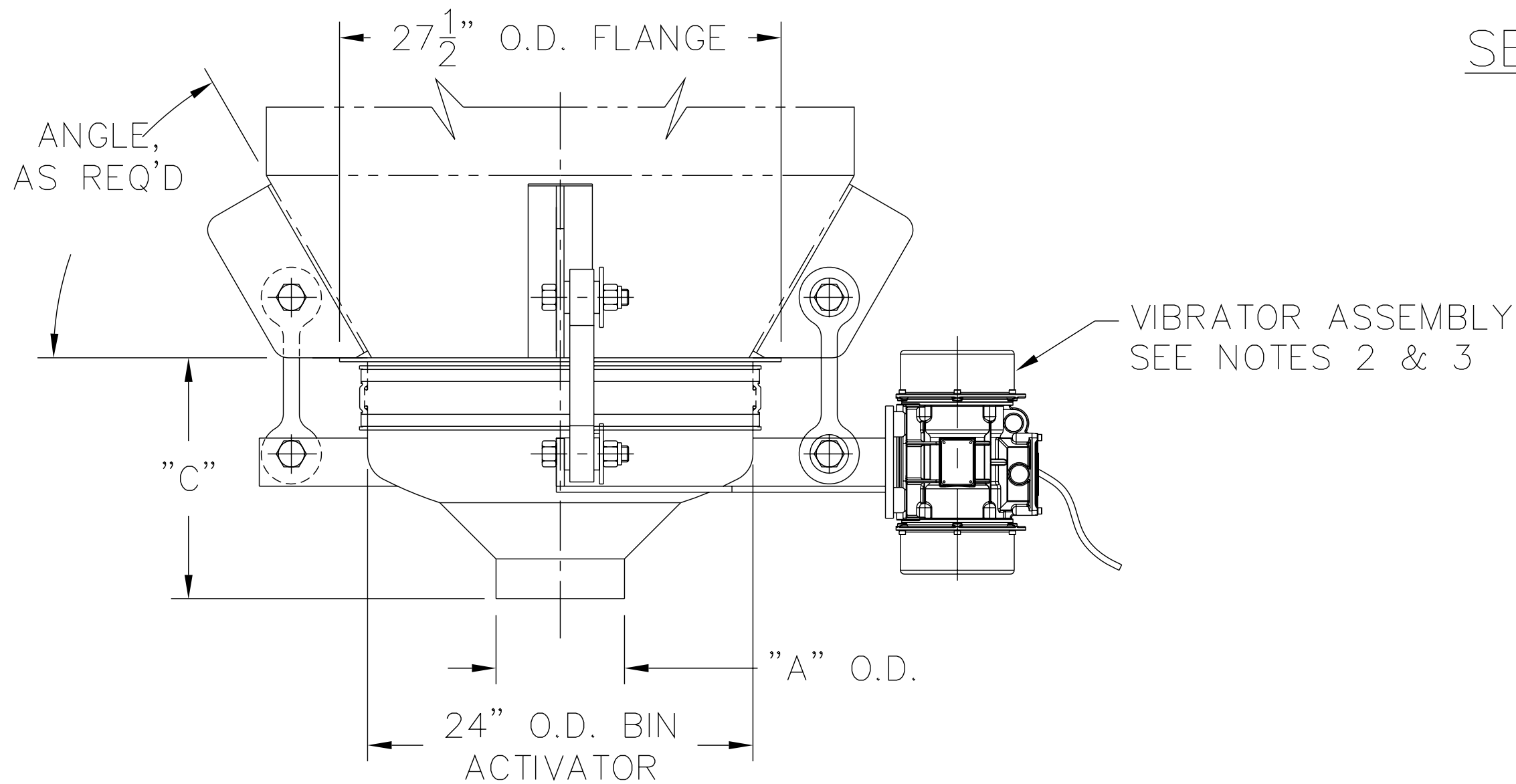


SECTION A-A

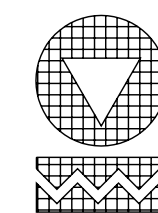


"A" O.D.	"C"
8" O.D.	15"
10" O.D.	14"
12" O.D.	13"

THE RECIPIENT OF THIS DOCUMENT AGREES NOT TO REPRODUCE, COPY, TRANSMIT OR USE THIS DOCUMENT AND/OR THE INFORMATION CONTAINED IN THIS DOCUMENT IN WHOLE OR IN PART, FOR ANY PURPOSE, EXCEPT WITH THE WRITTEN PERMISSION OF VIBRA SCREW INCORPORATED.

NOTES:

- 1 - CONTACT MATERIAL: CARBON STEEL, 304 S/S, 316 S/S.
- 2 - VIBRATOR DRIVE TO BE: T.E.N.V., 1750 RPM, 230-460/3/60,
- 3 - ALL ELECTRICAL CONNECTIONS TO BE FLEXIBLE
- 4 - ALL CONNECTIONS TO BIN ACTIVATOR MUST BE FLEXIBLE



Vibra Screw Incorporated

755 Union Blvd.

Totowa, N.J. 07512-2207

TITLE

2'-0" DIA. BIN ACTIVATOR  
WITH GREASED VIBRATOR

DWN. / DATE:  
MJM 1/20/06

DWG. NO.

REV. NO.

CAD FILE NAME

N:\BA\STDASSY\16706-SD

16706-SD

1