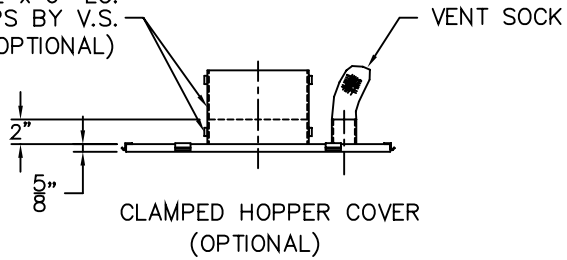
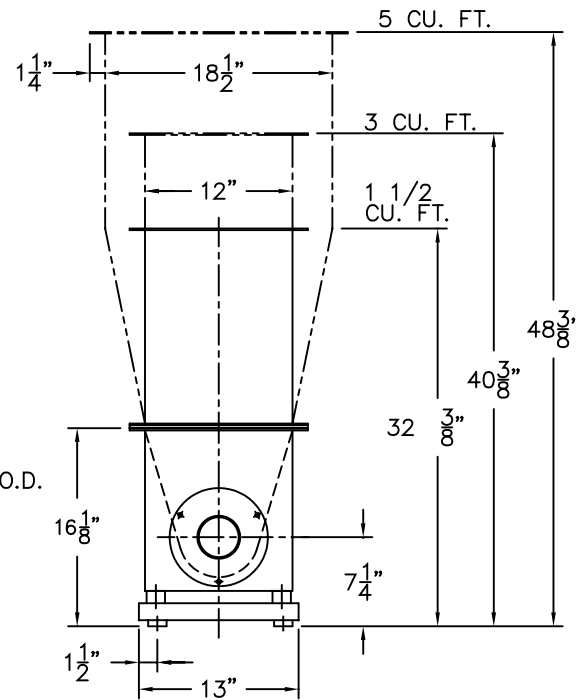
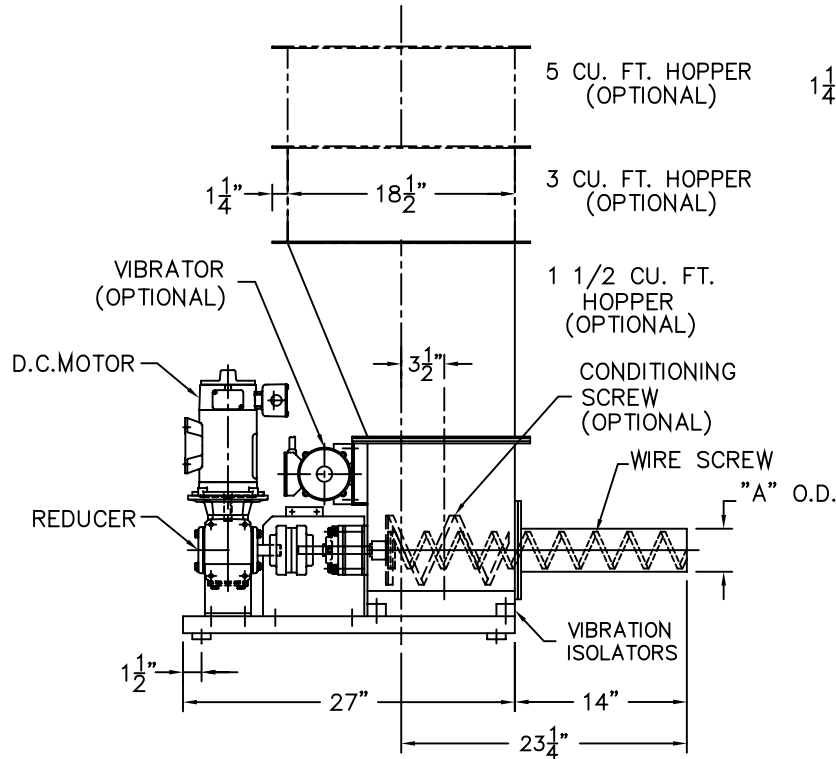


FLEX. SLEEVE x 6" LG.
& (2) CLAMPS BY V.S.
(OPTIONAL)

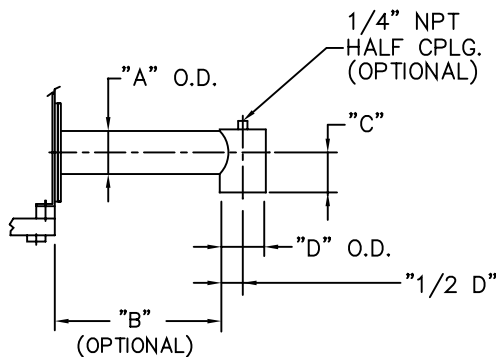


| SCREW SIZE | DIM "A" | DIM "B" | DIM "C" | DIM "D" | DIM "E" |
|------------|---------|---------|---------|---------|---------|
| 3" | 3 1/2" | 15 3/4" | 3 1/2" | 3 3/4" | 4 1/2" |
| 4" | 4 1/2" | 16 1/4" | 4" | 4 3/4" | 5" |

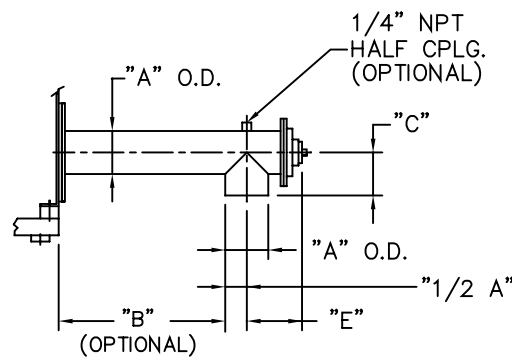


| SCREW SIZE | VOLUMETRIC RATE CAPACITY | |
|------------|--------------------------|-------------|
| | 3" | CU. FT./HR. |
| | CU. M./HR. | 0.2 TO 2 |
| 4" | CU. FT./HR. | 20 TO 200 |
| | CU. M./HR. | 0.6 TO 6 |

CONTACT MATERIAL: 304 STAINLESS STEEL,
CARBON STEEL OR 316 STAINLESS STEEL.



DOWNSPOUT-CAN TYPE
(OPTIONAL)



DOWNSPOUT & END BRNG. SCREW SUPPORT
(OPTIONAL)

THE RECIPIENT OF THIS DOCUMENT AGREES NOT TO REPRODUCE, COPY, TRANSMIT OR USE THIS DOCUMENT AND/OR THE INFORMATION CONTAINED IN THIS DOCUMENT IN WHOLE OR IN PART, FOR ANY PURPOSE, EXCEPT WITH THE WRITTEN PERMISSION OF VIBRA SCREW INCORPORATED.

THIS DRAWING TO BE USED FOR REFERENCE ONLY

Vibra Screw Incorporated

755 UNION BLVD.

TOTOVA, N.J. 07512

TITLE
STANDARD
3" & 4" VERSIFEEDER

DWN/DATE
I.S. 5/08/2001

DWG. NO.

REV. NO.

CAD FILE:
N:\FEED\SCR\VF\STDASSY\16733A

16733A

1