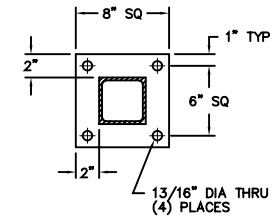
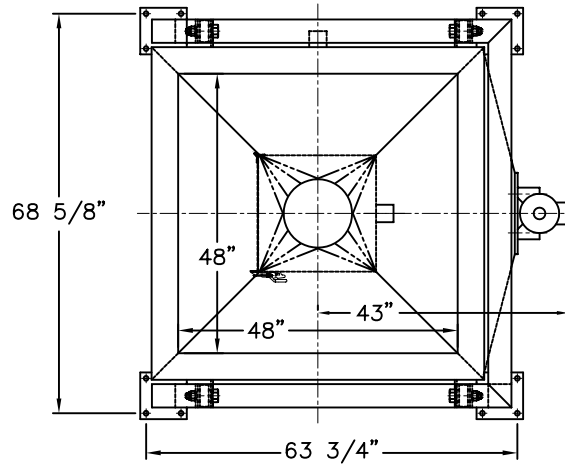
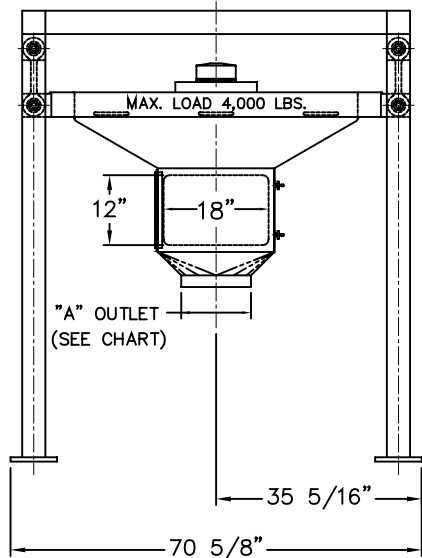


"A"	"B" DIM.	"C" DIM
8" O.D.	35 7/16"	79 7/16"
10" O.D.	34 7/16"	78 7/16"
12" O.D.	33 7/16"	77 7/16"
14" O.D.	32 7/16"	76 7/16"

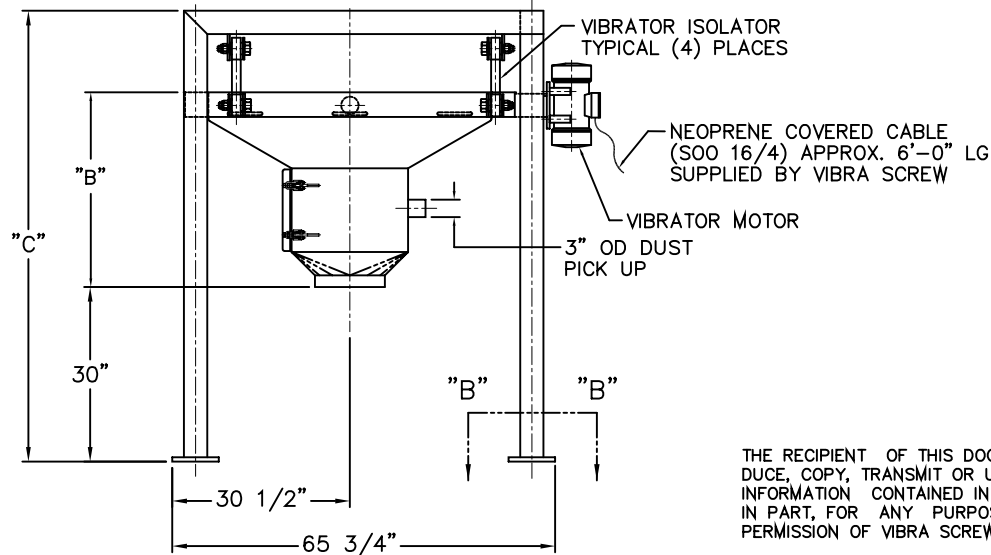


BAG LIFTING ADAPTER
(OPTIONAL)



SECTION : B-B

(4) PLACES
SCALE: 2 = 1



THE RECIPIENT OF THIS DOCUMENT AGREES NOT TO REPRODUCE, COPY, TRANSMIT OR USE THIS DOCUMENT AND/OR THE INFORMATION CONTAINED IN THIS DOCUMENT IN WHOLE OR IN PART, FOR ANY PURPOSE, EXCEPT WITH THE WRITTEN PERMISSION OF VIBRA SCREW INCORPORATED.

- 1 - CONTACT MATERIAL : RECEIVER - CARBON STEEL, 304 SS OR 316 SS.
- 2 - SUPPORT FRAME - CARBON STEEL CONSTRUCTION.
- 3 - VIBRATOR MOTOR TO BE TENV, 230 OR 460/3/60.
- 4 - ALL ELECTRICAL CONNECTIONS MUST BE FLEXIBLE.
- 5 - ALL CONNECTIONS TO BAG UNLOADER MUST BE FLEXIBLE.
- 6 - BAG TO BE LIFTED & SUPPORTED BY CUSTOMER.
- 7 - UNLOADER MUST BE PROPERLY SECURED IN PLACE BEFORE USE.



Vibra Screw Incorporated

755 Union Blvd.

Totowa, N.J. 07512-2207

TITLE

BULK BAG UNLOADER
MODEL I - V - HD

DWN. / DATE:

FP 07/01/99

DWG. NO.

17821-SD

CAD FILE NAME

BBU\NEWDSGN\SALES\17821-SD

REV 1