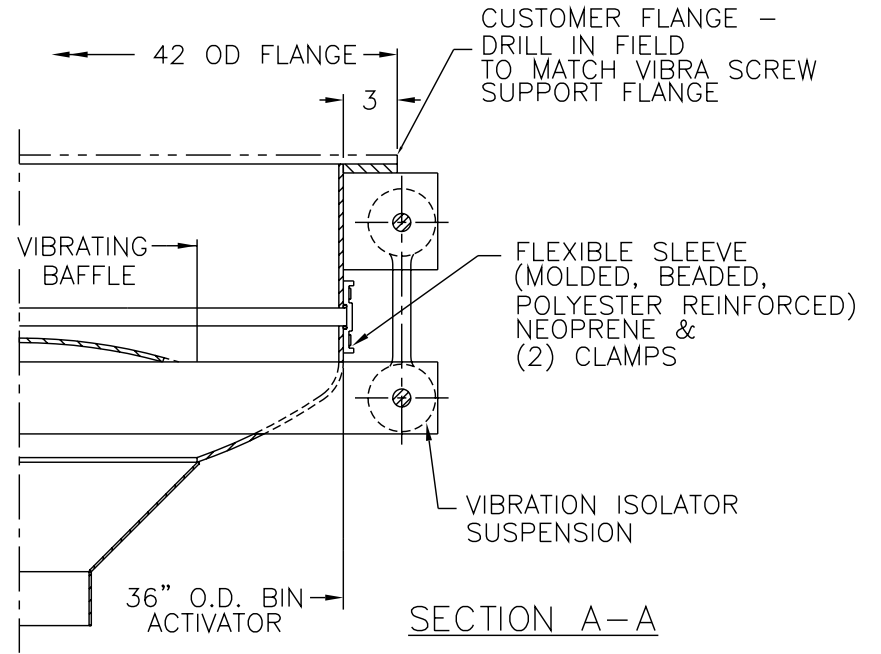
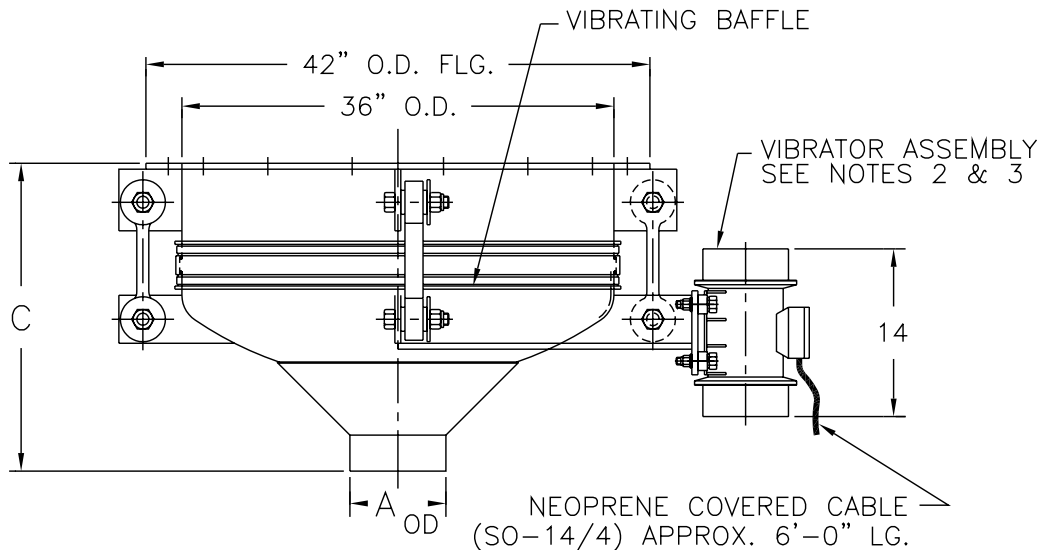


(16) 11/16 DIA HOLES  
EQUALLY SPACED ON 39 BC



SECTION A-A



NEOPRENE COVERED CABLE  
(SO-14/4) APPROX. 6'-0" LG.

NOTES -

- 1 - CONTACT MATERIAL - CARBON STEEL, 304 SS, 316 SS
- 2 - VIBRATOR MOTOR - 0.62 HP, 230-460/3/60, 1800 RPM
- 3 - ALL ELECTRICAL CONNECTIONS TO BE FLEXIBLE
- 4 - ALL CONNECTIONS TO BIN ACTIVATOR MUST BE FLEXIBLE

DASH No.	A OD	C
-1	8 OD	25 1/2
-2	10 OD	24 1/2
-3	12 OD	23 1/2

THE RECIPIENT OF THIS DOCUMENT AGREES NOT TO REPRODUCE, COPY, TRANSMIT OR USE THIS DOCUMENT AND/OR THE INFORMATION CONTAINED IN THIS DOCUMENT IN WHOLE OR IN PART, FOR ANY PURPOSE, EXCEPT WITH THE WRITTEN PERMISSION OF VIBRA SCREW INCORPORATED.

0	RELEASED FOR REFERENCE ONLY	L.K. 5/29/01			
REV.	DESCRIPTION	DWN. BY DATE	CHK. BY DATE	APP. BY DATE	ELEC. APP. DATE

DO NOT SCALE PRINT  
UNLESS OTHERWISE SPECIFIED  
DIMENSIONS ARE IN INCHES  
TOLERANCES:  
.XX = ±.01  
.XXX = ±.005  
FRACTIONAL = ±1/32"  
ANGULAR = ±1/2"  
BREAK SHARP EDGES .005-.015  
ALL SMALL FILLETS .020-.040R.  
ALL FINISHED SURFACES 63-125  
MICRO INCHES

**Vibra Screw Incorporated**  
755 Union Blvd. Totowa, N.J. 07512-2207

TITLE: 3'-0" DIA. BIN ACTIVATOR  
CENTER FLAT STOCK CROSS MEMBER  
AND GREASED VIBRATOR

SCALE: 1/8"=1" DWG. NO.: 17959-SD REV. NO.: 0

CAD FILE NAME: n:\ba\stdassy\17959-SD