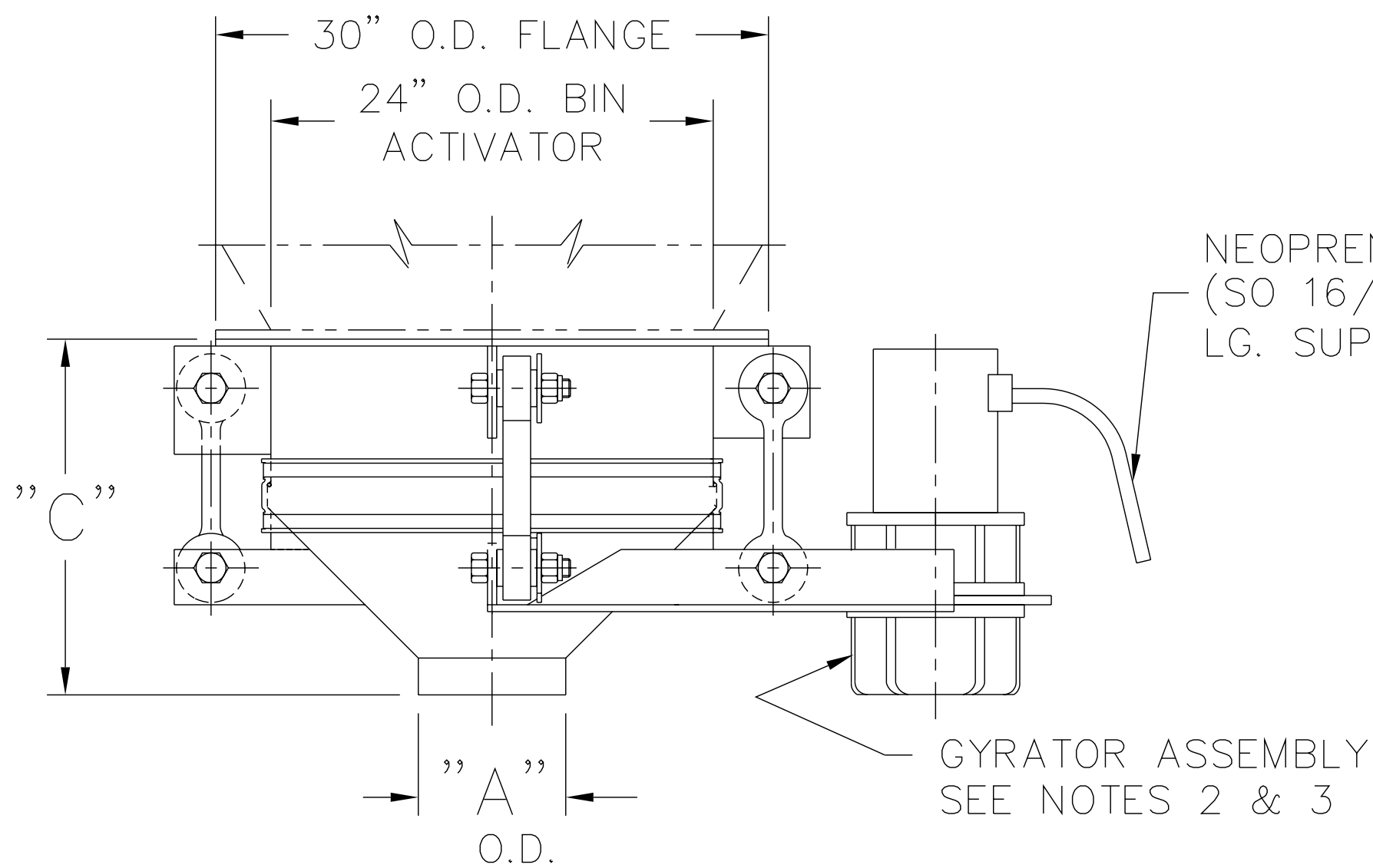


SECTION A-A

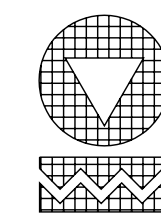


"A" O.D.	"C"
8" O.D.	19 3/8"
10" O.D.	18 3/8"
12" O.D.	17 3/8"

THE RECIPIENT OF THIS DOCUMENT AGREES NOT TO REPRODUCE, COPY, TRANSMIT OR USE THIS DOCUMENT AND/OR THE INFORMATION CONTAINED IN THIS DOCUMENT IN WHOLE OR IN PART, FOR ANY PURPOSE, EXCEPT WITH THE WRITTEN PERMISSION OF VIBRA SCREW INCORPORATED.

NOTES:

- 1 - CONTACT MATERIAL: CARBON STEEL, 304 S/S, 316 S/S.
- 2 - GYRATOR DRIVE TO BE: 1 HP T.E.N.V., 1750 RPM, 230-460/3/60.
- 3 - ALL ELECTRICAL CONNECTIONS TO BE FLEXIBLE
- 4 - ALL CONNECTIONS TO BIN DISCHARGER MUST BE FLEXIBLE



Vibra Screw Incorporated

755 Union Blvd.

Totowa, N.J. 07512-2207

TITLE 2'-0" DIA. BIN DISCHARGER
CENTER FLAT STOCK
1 1/2 K GYRATOR

DWN / DATE:
MJM 8/21/01

DWG. NO.

REV. NO.

CAD FILE NAME
N:\BA\BD\STDASSY\17975-SD.

17975-SD

1