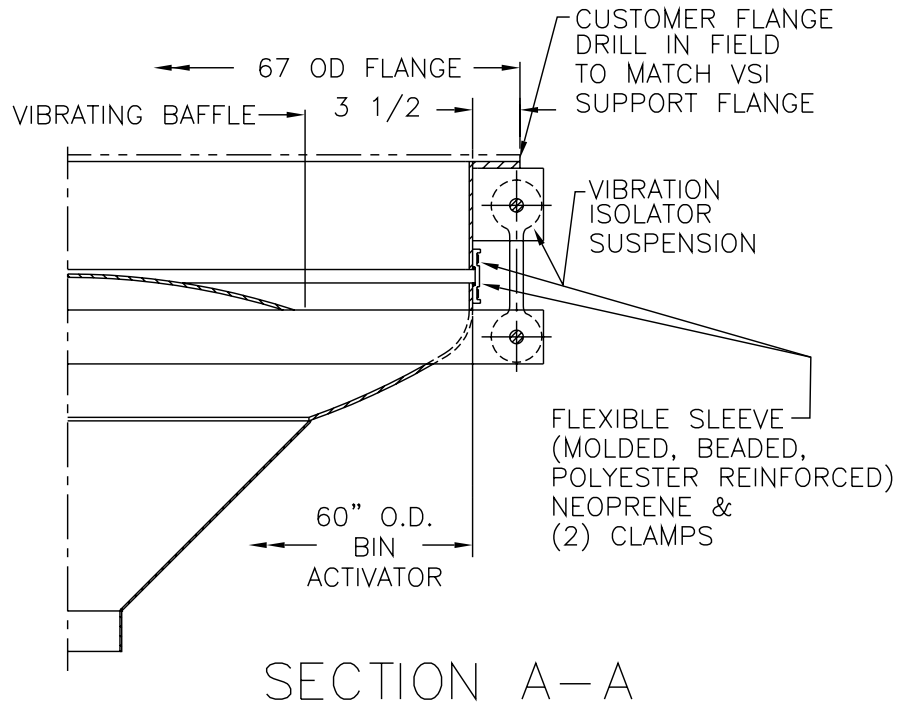
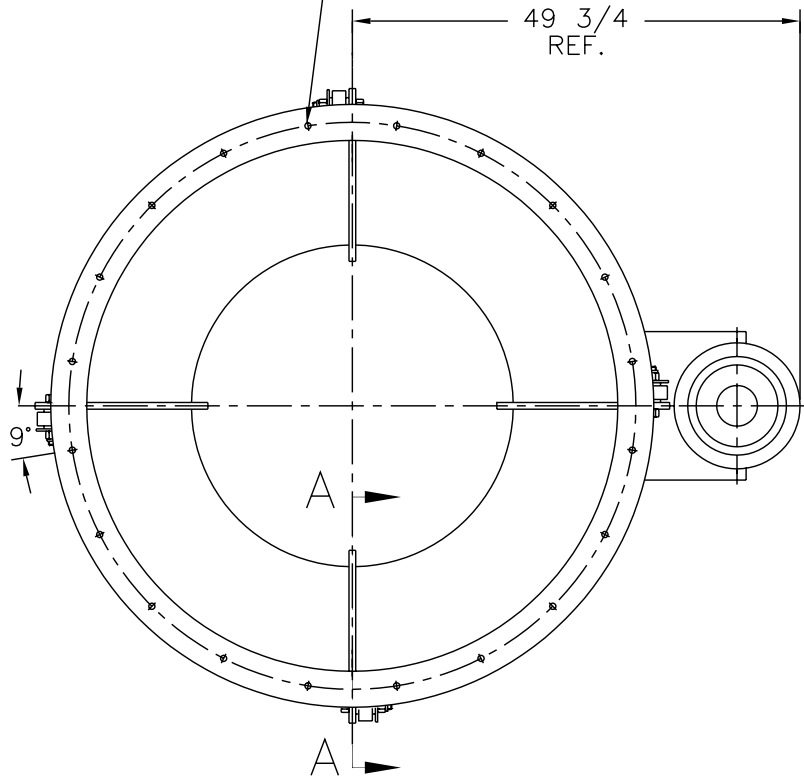


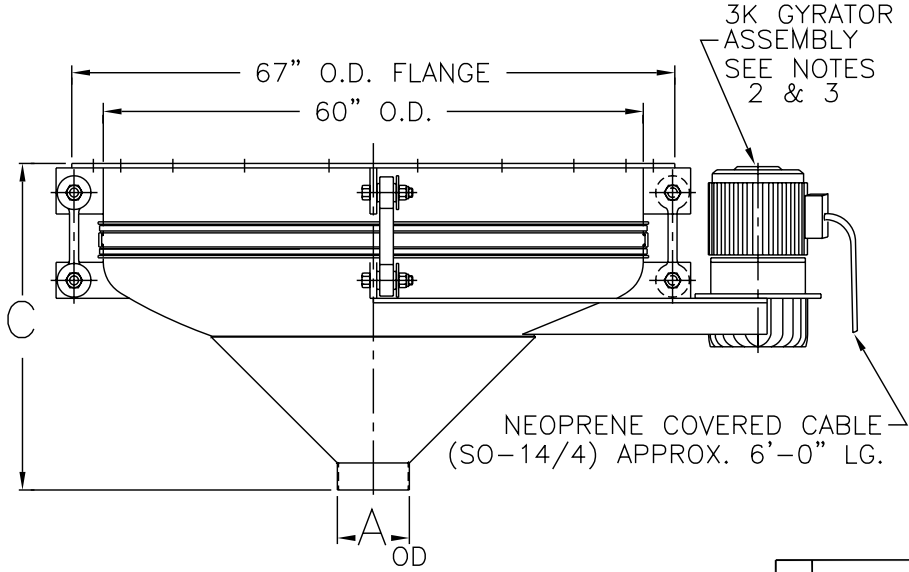
(20) 11/16 DIA HOLES
EQ.SP. ON 63" DIA. B.C.



SECTION A-A

NOTES -

- 1 - CONTACT MATERIAL - CARBON STEEL, 304 SS, 316 SS
- 2 - GYRATOR MOTOR - 2 HP, TEFC, 230 OR 460/3/60, 1750 RPM
- 3 - ALL ELECTRICAL CONNECTIONS TO BE FLEXIBLE
- 4 - ALL CONNECTIONS TO BIN ACTIVATOR MUST BE FLEXIBLE



DASH No.	A OD	C
-1	8 OD	36 1/8
-2	10 OD	35 1/8
-3	12 OD	34 1/8

THE RECIPIENT OF THIS DOCUMENT AGREES NOT TO REPRODUCE, COPY, TRANSMIT OR USE THIS DOCUMENT AND/OR THE INFORMATION CONTAINED IN THIS DOCUMENT IN WHOLE OR IN PART, FOR ANY PURPOSE, EXCEPT WITH THE WRITTEN PERMISSION OF VIBRA SCREW INCORPORATED.

0	RELEASED FOR REFERENCE ONLY	MJM 8/24/01			
REV.	DESCRIPTION	DWN. BY DATE	CHK. BY DATE	APP. BY DATE	ELEC. APP. DATE

DO NOT SCALE PRINT
UNLESS OTHERWISE SPECIFIED DIMENSIONS ARE IN INCHES
TOLERANCES:
.XX = ±.01
.XXX = ±.005
FRACTIONAL = ±1/32"
ANGULAR = ±1/2"
BREAK SHARP EDGES .005-.015
ALL SMALL FILLETS .020-.040R.
ALL FINISHED SURFACES 63-125 MICRO INCHES

Vibra Screw Incorporated 755 Union Blvd. Totowa, N.J. 07812-2207	
TITLE 5'-0" DIA. BIN ACTIVATOR CENTER FLAT STOCK CROSS MEMBER AND 3K GYRATOR	
SCALE 3/32"=1"	DWG. NO. 17985-SD 0
CAD FILE NAME bo\elddossy\17985-SD_5fl_3k_flat_stock	REV. NO. 0