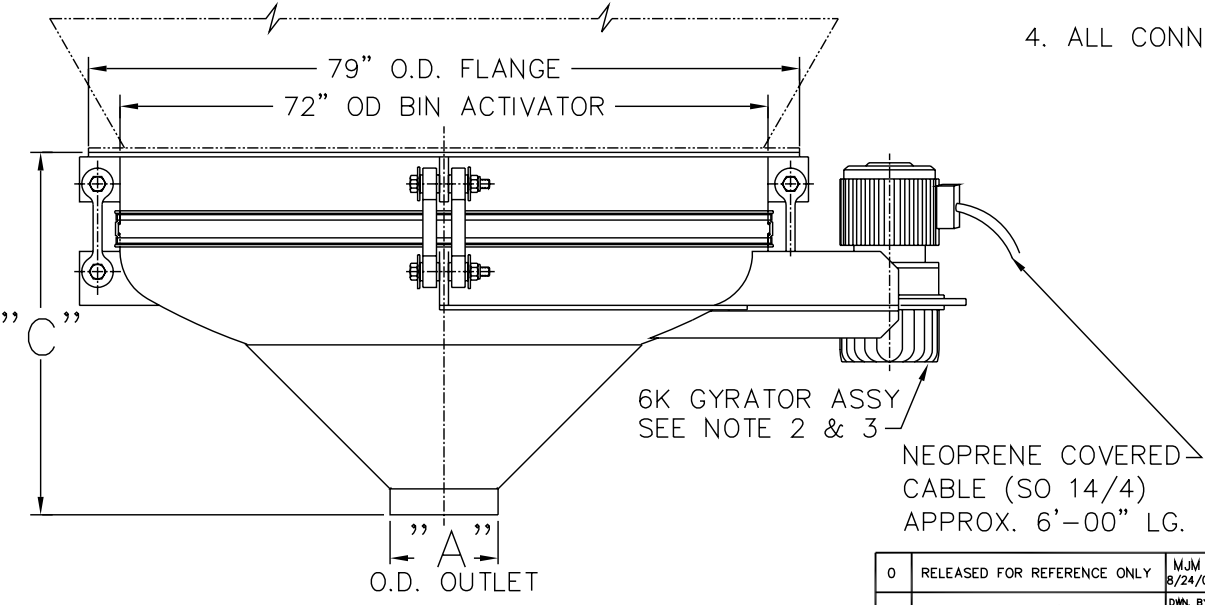


NOTES -

1. CONTACT MATERIAL - CARBON STEEL, 304 SS, 316 SS.
2. GYRATOR MOTOR: 3 HP, TEFC, 230 OR 460/3/60,
3. AL ELECTRICAL CONNECTIONS TO BE FLEXIBLE.
4. ALL CONNECTIONS TO BIN ACTIVATOR MUST BE FLEXIBLE.



"A" OUTLET SIZE	"C" OVERALL HEIGHT
8"	41 1/2"
10"	40 1/2"
12"	39 1/2"
14"	38 1/2"

THE RECIPIENT OF THIS DOCUMENT AGREES NOT TO REPRODUCE, COPY, TRANSMIT OR USE THIS DOCUMENT AND/OR THE INFORMATION CONTAINED IN THIS DOCUMENT IN WHOLE OR IN PART, FOR ANY PURPOSE, EXCEPT WITH THE WRITTEN PERMISSION OF VIBRA SCREW INCORPORATED.

DO NOT SCALE PRINT		Vibra Screw Incorporated 755 Union Blvd. Totowa, N.J. 07512-2207	
UNLESS OTHERWISE SPECIFIED DIMENSIONS ARE IN INCHES		TITLE 6'-0" DIA. BIN ACTIVATOR CENTER FLAT STOCK CROSSMEMBERS AND 6K GYRATOR	
TOLERANCES: .XX = ±.01 .XXX = ±.005 FRACTIONAL = ±1/32" ANGULAR = ±1/2° BREAK SHARP EDGES .005-.015 ALL SMALL FILLETS .020-.040R. ALL FINISHED SURFACES 63-125 MICRO INCHES		SCALE 3/32"=1" CAD FILE NAME N:\BA\STDASSY\17986-SD	DWG. NO. 17986-SD REV. NO. 0

0	RELEASED FOR REFERENCE ONLY	MJM	8/24/01		
REV.	DESCRIPTION	DWN. BY	CHK. BY	APP. BY	DATE