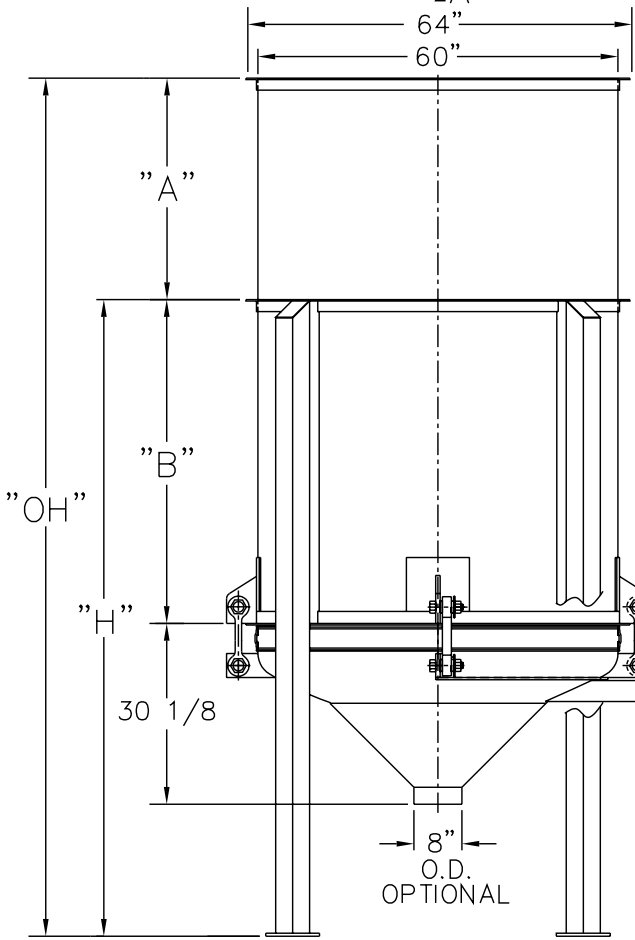
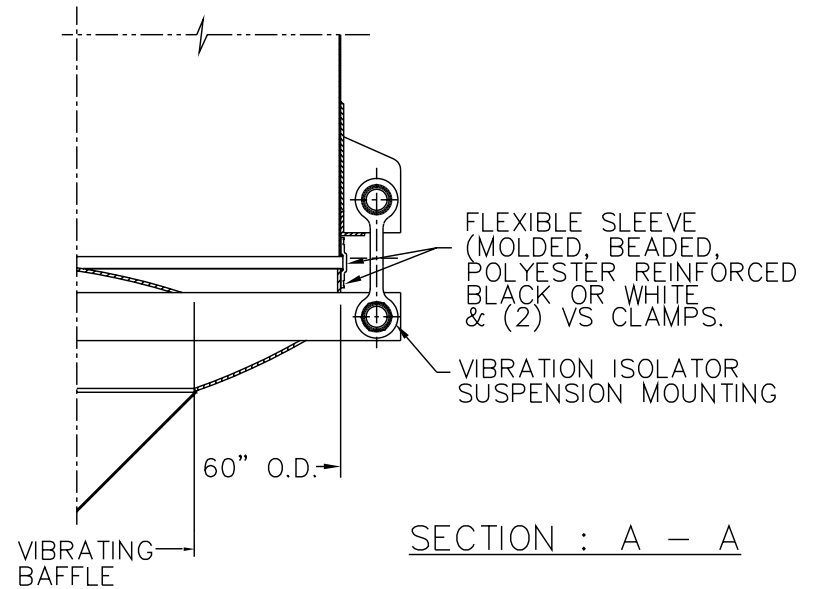
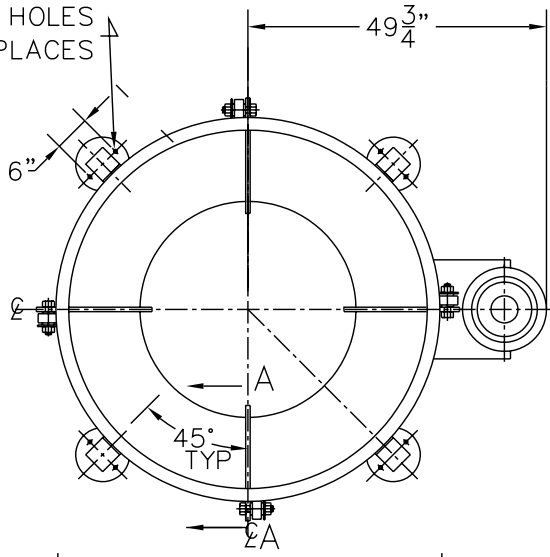


(2) 5/8 DIA. HOLES
TYP. (4) PLACES



MODEL NO.	CAPACITY CU.FT.	"A"	"B"	"H"	"OH"
LBB 5-100	100	—	54	106 1/8	—
LBB 5-150	150	37	47	99 1/8	136 1/8
LBB 5-200	200	67	47	99 1/8	166 1/8

NOTES:

- 1 - CONTACT MATERIAL: CARBON STEEL, 304 OR 316 STAINLESS STEEL
- 2 - GYRATOR MOTOR TO BE 2 HP, 1750 RPM, 230-460/3/60
- 3 - ALL ELECTRICAL CONNECTIONS TO BE FLEXIBLE.
- 4 - ALL CONNECTIONS TO LIVE BOTTOM BIN TO BE FLEXIBLE.

NEOPRENE COVERED CABLE (SO 14/4) APPROX. 6FT. LG.

3K GYRATOR ASSEMBLY
SEE NOTES:
2 & 3

8" O.D. OPTIONAL

THE RECIPIENT OF THIS DOCUMENT AGREES NOT TO REPRODUCE, COPY, TRANSMIT OR USE THIS DOCUMENT AND/OR THE INFORMATION CONTAINED IN THIS DOCUMENT IN WHOLE OR IN PART, FOR ANY PURPOSE, EXCEPT WITH THE WRITTEN PERMISSION OF VIBRA SCREW INCORPORATED.

DO NOT SCALE PRINT

DO NOT SCALE PRINT		Vibra Screw Incorporated 755 Union Blvd. Totowa, N.J. 07512-2207	
UNLESS OTHERWISE SPECIFIED DIMENSIONS ARE IN INCHES		TITLE 5 - 100 TO 200 LIVE BOTTOM BIN CENTER FLAT STOCK CROSSMEMBER AND 3K GYRATOR	
TOLERANCES: .XX = ±.01 .XXX = ±.005 FRACTIONAL = ±1/32" ANGULAR = ±1/2" BREAK SHARP EDGES .005-.015 ALL SMALL FILLETS .020-.040R.		SCALE .75=12	DWG. NO. 17990-SD
1 WEBSITE DRAWING MJM 6/29/01 REV. DESCRIPTION DWN. BY DATE CHK. BY DATE APP. BY DATE ELEC. APP. DATE		CAD FILE NAME LBB\ASSY\17990-SD_SFT_100-200_3K	REV. NO. 1