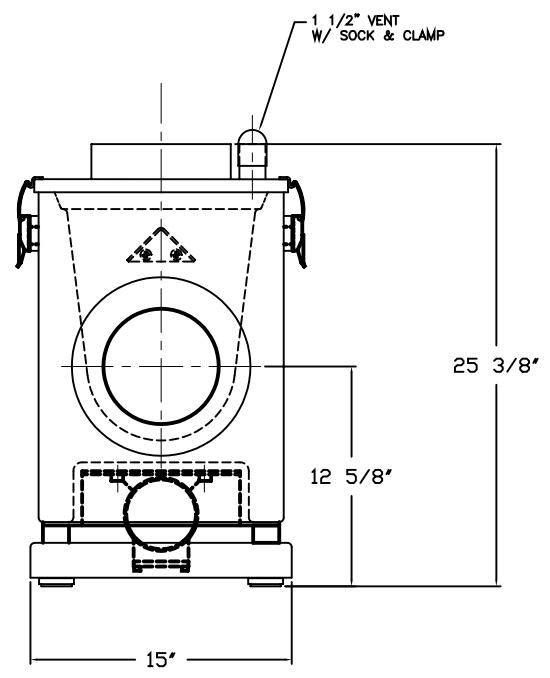
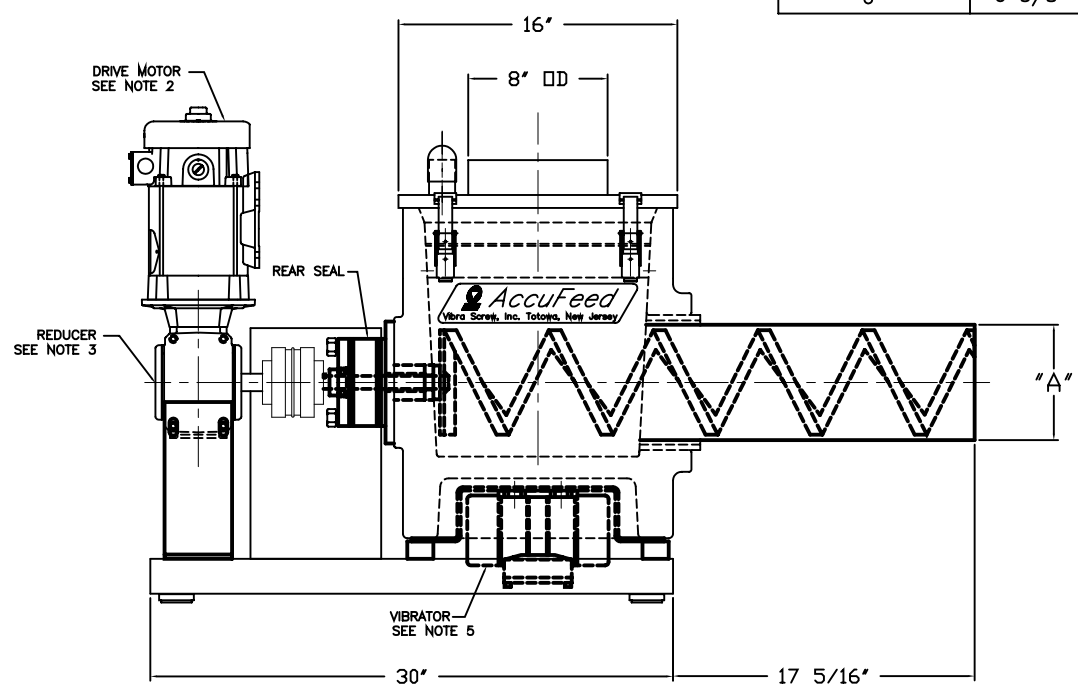



Dimensions and Rates		
Screw Diameter	"A" O.D.	Cu.Ft./Hr
3"	3 1/2"	74
4"	4 1/2"	200
6"	6 5/8"	600



- NOTES -
1. CONTACT MATERIAL - POLYETHYLENE, COVER, SCREW & TUBE - 304 SS.
 2. DRIVE MOTOR - 1 HP, TEFC, 1750 RPM, 90 VA PERMANENT MAGNET DC MOTOR, 56 C-FACE, MODEL No. CDP-3445 OR EQUAL.
 3. SPEED REDUCER - MODEL #BMQ-821-10-R-56, 10:1 RATIO.
 4. CONTROLLER - STD. SCR CONTROLLER IN NEMA 4 ENCLOSURE, 115V/1/60HZ. INPUT.
 5. VIBRATOR - MODEL No. VE 1/36/120, 3600 RPM, 115V/1/60HZ.
 6. CARBON STEEL SURFACES TO BE PAINTED W/ STD. V.S. WHITE ENAMEL.

DO NOT SCALE PRINT		 Vibra Screw Incorporated 755 Union Blvd. Totowa, N.J. 07812-2207	
UNLESS OTHERWISE SPECIFIED DIMENSIONS ARE IN INCHES		TITLE	
TOLERANCES: .XX = ±.01 .XXX = ±.005 FRACTIONAL = ±1/32" ANGULAR = ±1/2" BREAK SHARP EDGES .005-.015 ALL SMALL FILLETS .020-.040R. ALL FINISHED SURFACES 63-125 MICRO INCHES		6" AccuFeed Feeder with Trough Cover	
SCALE	3/16"=1"	DATE	5/17/06
CAD FILE NAME		DWG. NO.	REV. NO.
rt:\feeder\screw\accufeed\det\6in\18074		AF-C-18074	1

REV.	DESCRIPTION	DATE	CHK. BY	APP. BY
1	RELEASED FOR WEBSITE	5/18/06	JUP	