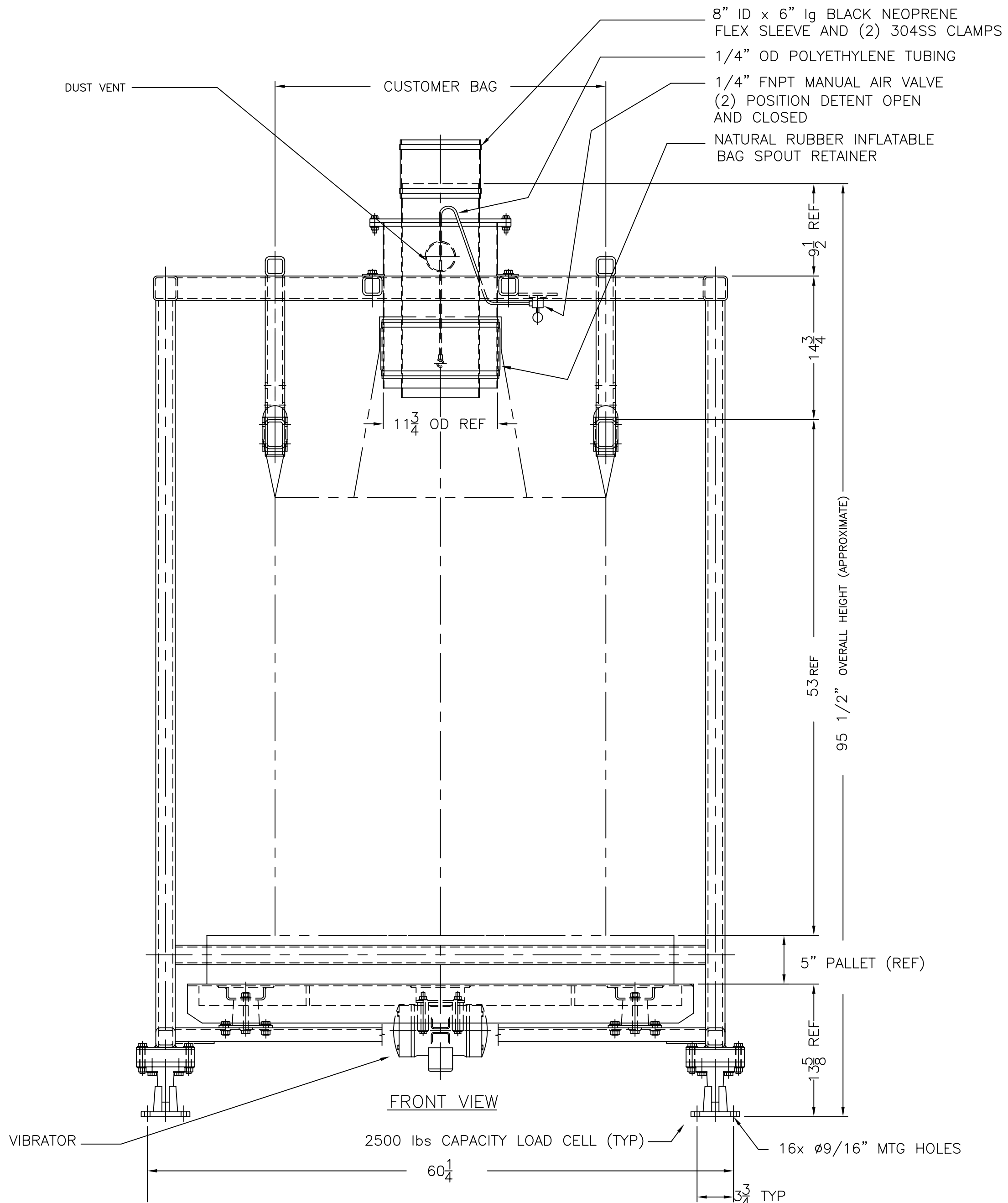


VIBRA SCREW INC. ENGINEERING DATA SHEET BULK BAG FILLER



VIBRA SCREW INCORPORATED
755 UNION BLVD., TOTOWA NJ 07512
P: (973) 256-7410 F:(973) 256-2114
email: info@vibrascrew.com www.vibrascrew.com