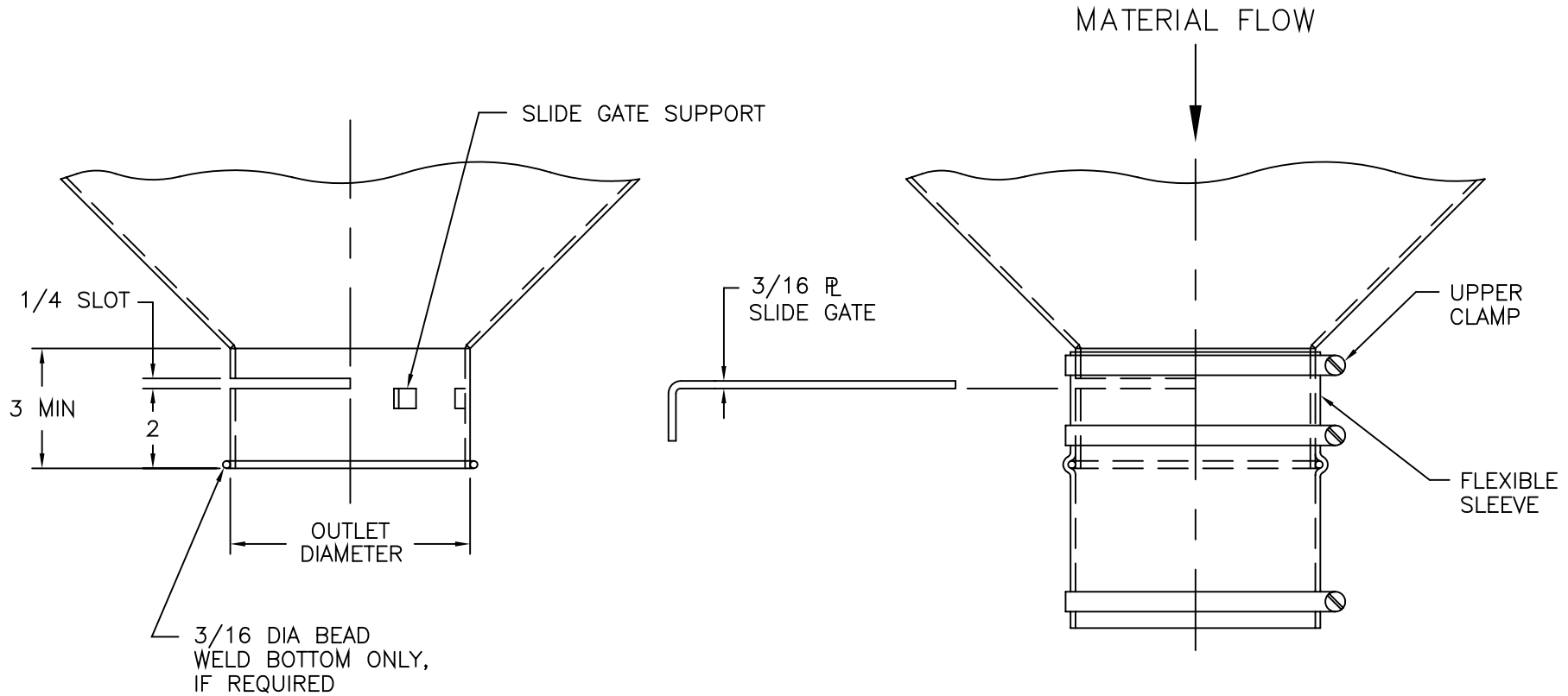


VIBRA SCREW INC.
ENGINEERING DATA SHEET
WELDED TYPE MAINTENANCE SLIDE GATE

DOCUMENT NO.: S101
Date: 6/12/01 Rev. 1
N:\SALES\Document S101



TO STOP MATERIAL FLOW:

1. REMOVE UPPER CLAMP
2. FOLD DOWN SLEEVE TO EXPOSE SLOT
3. INSERT SLIDE GATE

VIBRA SCREW INCORPORATED
755 UNION BLVD., TOTOWA N.J. 070511
PH: (973) 256-7410 FAX: (973) 256-7567
E-Mail: info@vibrascrewinc.com * www.vibrascrewinc.com