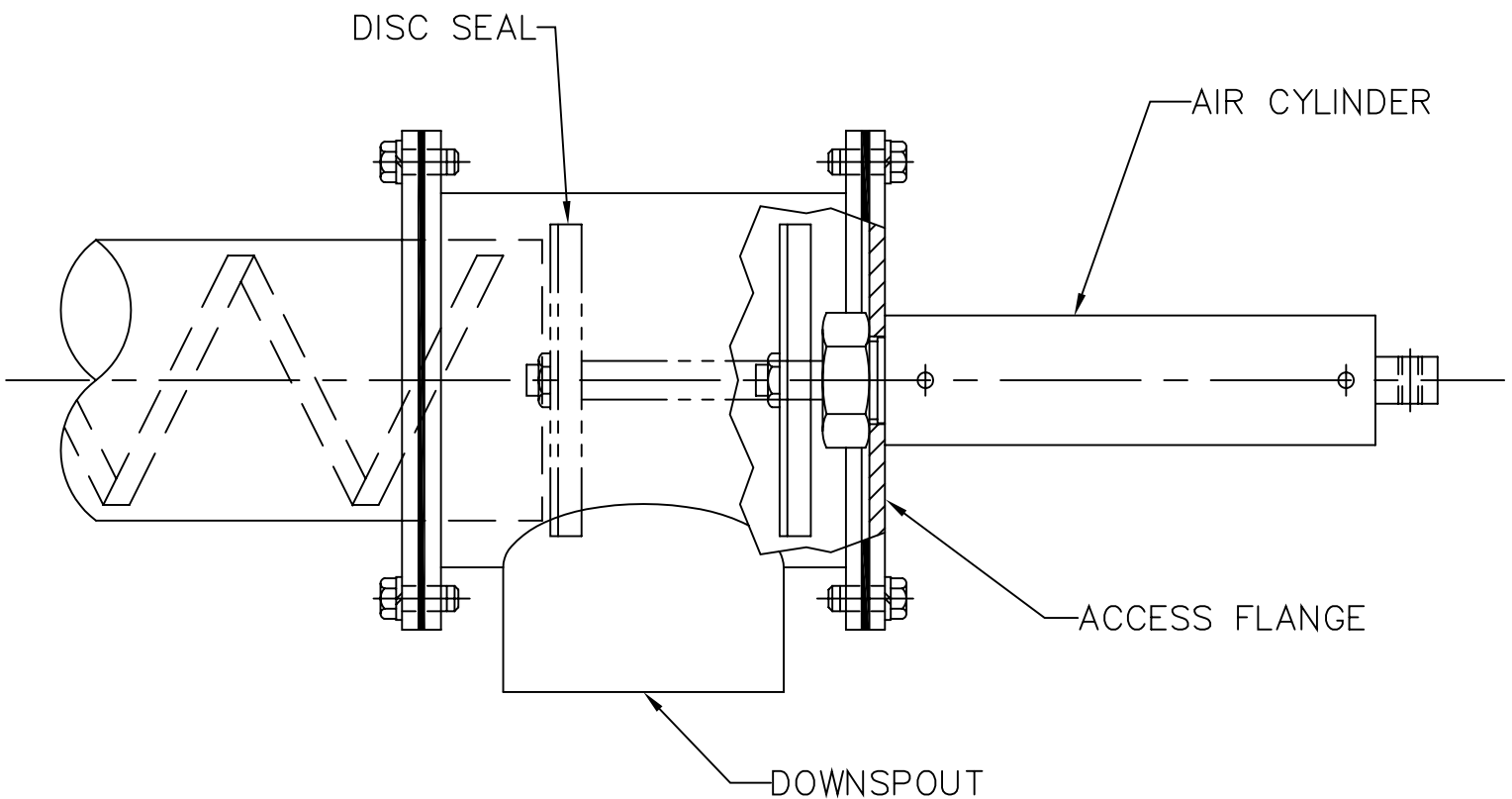


VIBRA SCREW INC.
ENGINEERING DATA SHEET
POSITIVE SHUT OFF DISC VALVE



VIBRA SCREW INCORPORATED
755 UNION BLVD., TOTOWA N.J. 07512
PH: (973) 256-7410 FAX: (973) 256-7567
E-Mail: info@vibrascrew.com * www.vibrascrew.com