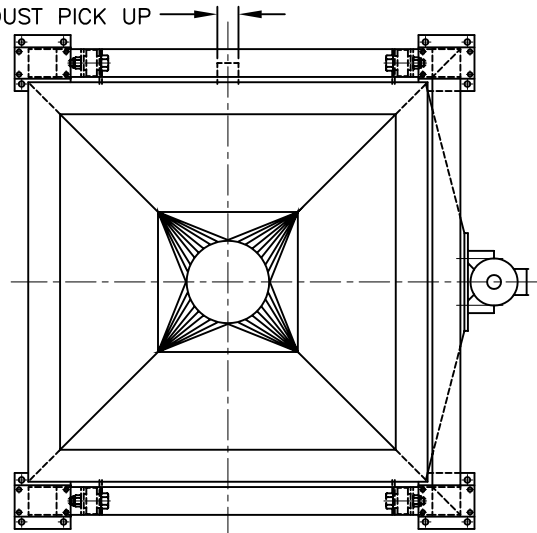


VIBRA SCREW INC.  
 ENGINEERING DATA SHEET  
 BULK BAG UNLOADER — BATCHING

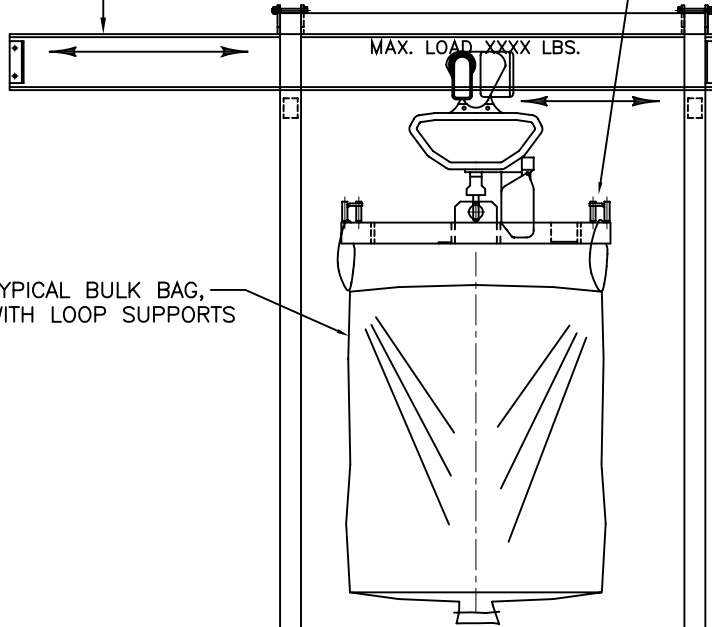
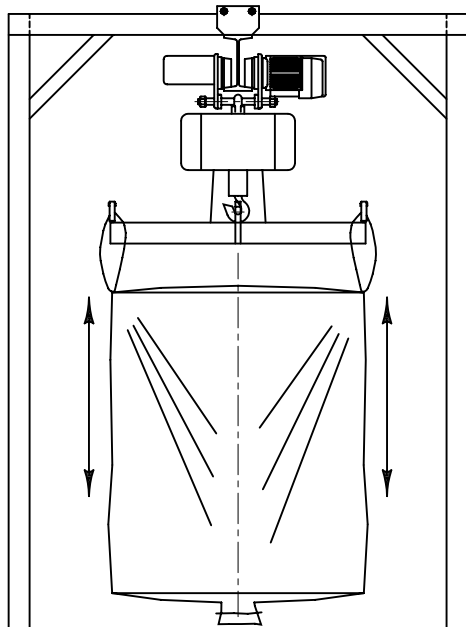
DOCUMENT NO. S118  
 REV 1

3" O.D. DUST PICK UP



I-BEAM (HOIST SUPPORT)

BAG LIFT ADAPTER



TYPICAL BULK BAG,  
 WITH LOOP SUPPORTS

MAX. LOAD XXXX LBS.

VIBRATING PLATFORM

VIBRATION ISOLATORS

MAX. LOAD XXXX LBS.

LOAD CELL  
 SUMMING BOX

(4) LOAD CELLS  
 TYP. 2500 LBS EACH

DWN: F.P.  
 DATE: 09/22/99  
 DWG. #: 17867-SD  
 N:\SALES