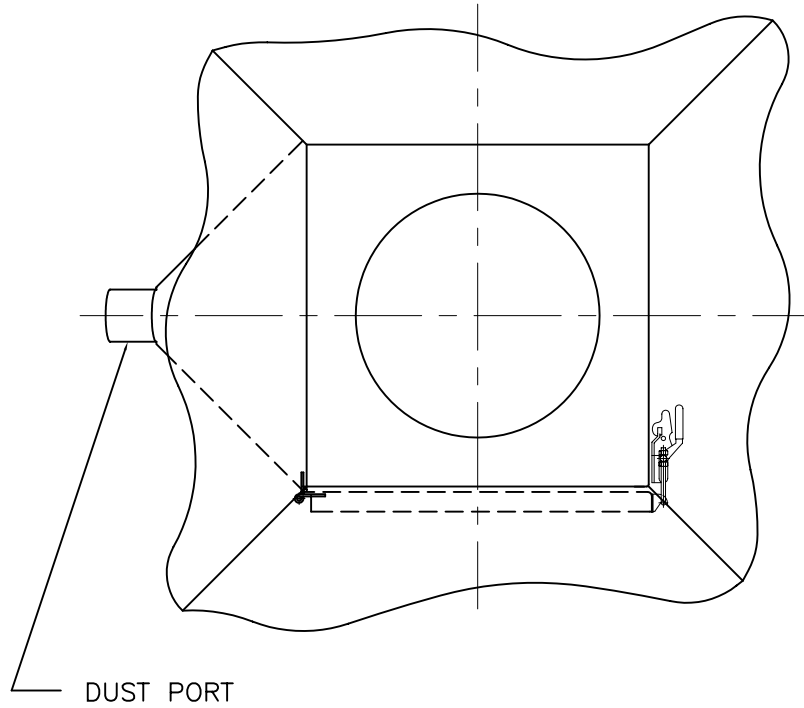
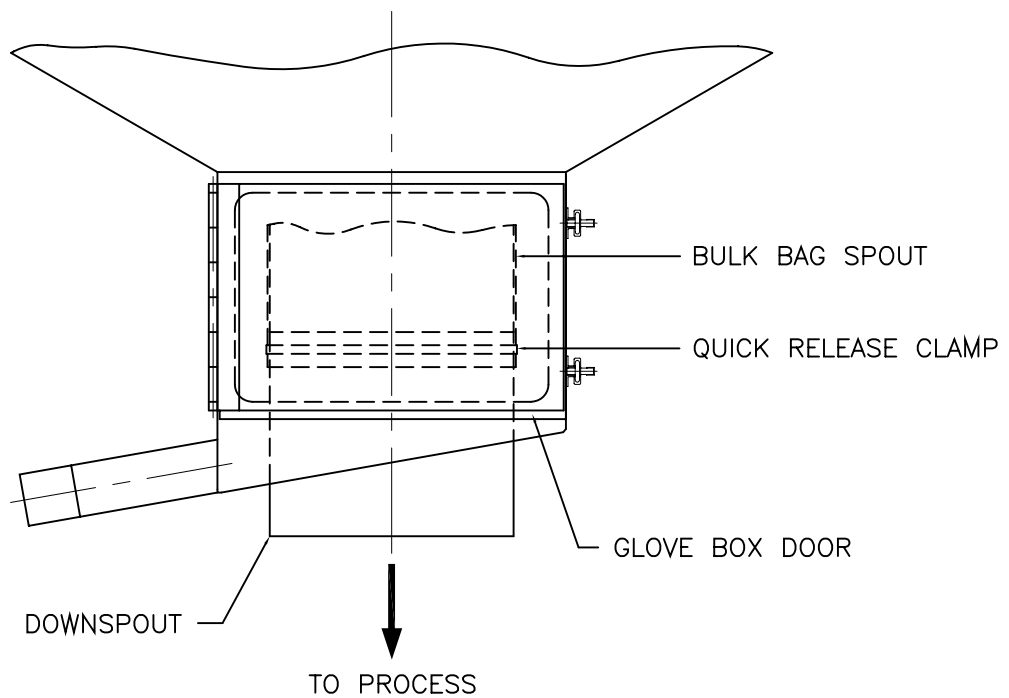


VIBRA SCREW INC.
ENGINEERING DATA SHEET
BAG SPOUT SEAL

DOCUMENT NO. S128
N:\SALES REV 1
REF. DWG. #C-17942



DUST PORT



BULK BAG SPOUT

QUICK RELEASE CLAMP

GLOVE BOX DOOR

DOWNSPOUT

TO PROCESS

VIBRA SCREW INCORPORATED
755 UNION BLVD., TOTOWA N.J. 070511
PH: (973) 256-7410 FAX: (973) 256-7567
E-Mail: info@vibrascrew.com * www.vibrascrew.com