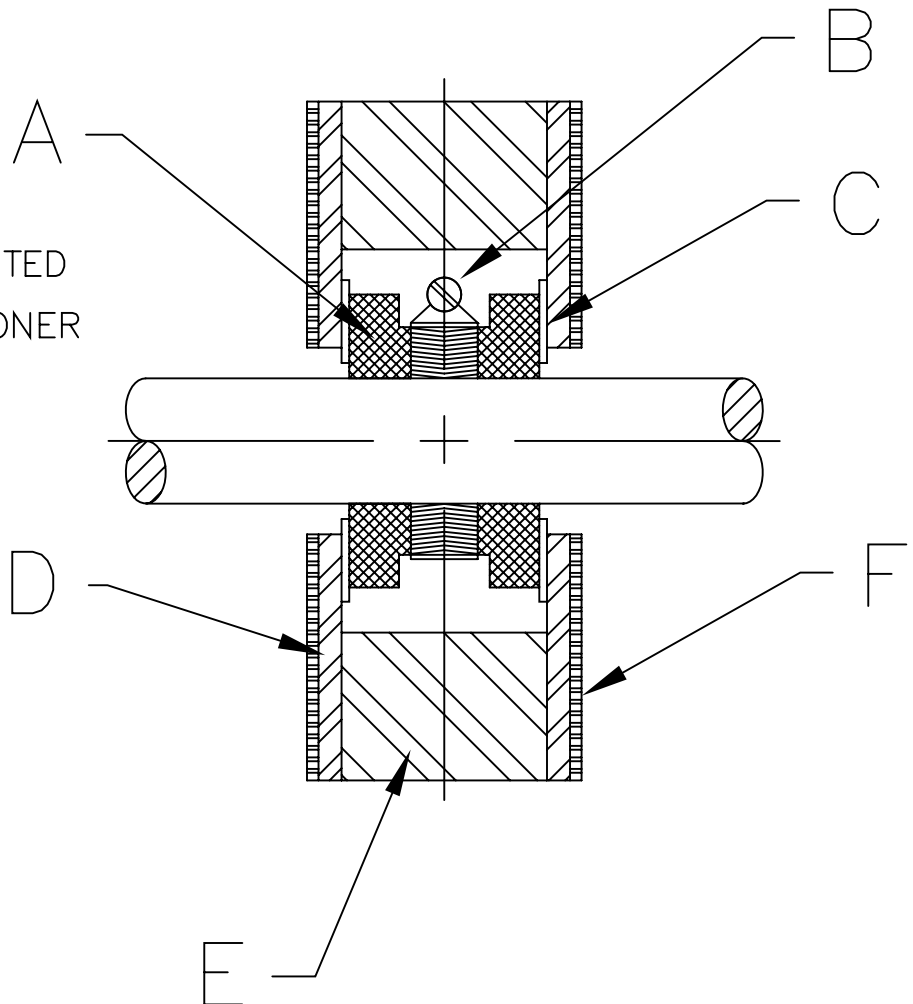


VIBRA SCREW INC.
ENGINEERING DATA SHEET

SHAFT SEAL

ROTATING ELEMENTS

- A. ELASTOMER
- B. HOSE CLAMP OR PATENTED
SELF ADJUSTING TENSIONER
- C. WEAR PLATES.



STATIONARY ELEMENTS

- D. TEFLON WEAR PLATE
- E. UHMW HOUSING
- F. STAINLESS FACE PLATE