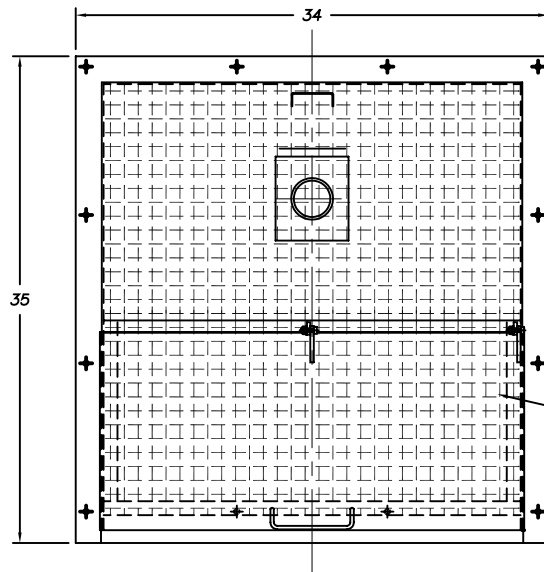
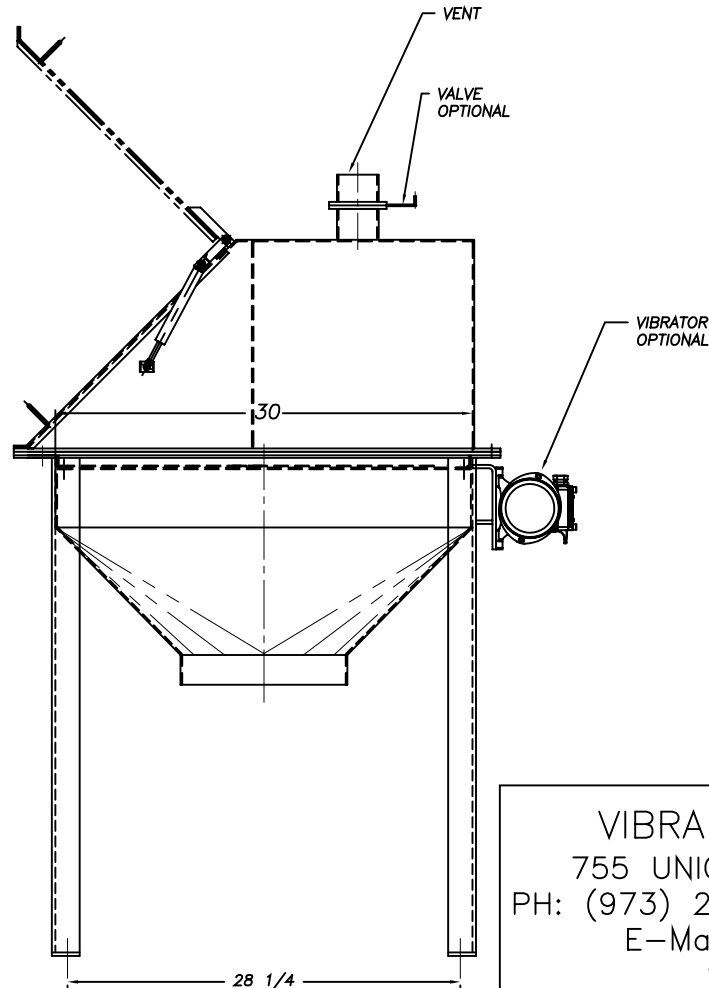
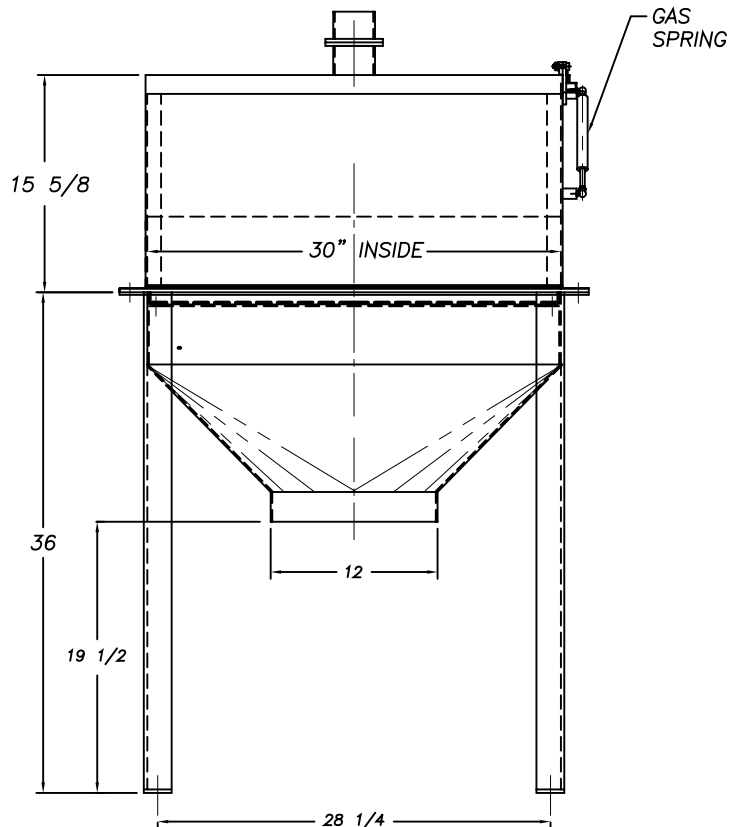


# ENGINEERING DATA SHEET BAG DUMP STATION

DOCUMENT NO. S165  
N:\SALES\Document S165  
DWN.: MJM 8/22/2011



REMOVABLE SCREEN



VIBRA SCREW INCORPORATED  
755 UNION BLVD., TOTOWA N.J. 07512  
PH: (973) 256-7410 FAX: (973) 256-7567  
E-Mail: [info@vibrascrewinc.com](mailto:info@vibrascrewinc.com)  
[www.vibrascrewinc.com](http://www.vibrascrewinc.com)