



# VIBRA SCREW INC.

The most trusted name in dry solids processing.

755 Union Boulevard Totowa, New Jersey 07512  
Phone: 973-256-7410 Fax: 973-256-2114 www.VibraScrew.com

# AccuFeed Volumetric Feeder



## Modular, Versatile Design

You can expect accuracies of  $\pm 1-2\%$  whether you feed pellets, flakes, powders or fibers. Free-flowing or tough-to-handle materials are all within the capabilities of AccuFeed™. This new feeder utilizes Vibra Screw's proven modular design, enabling a single unit to adapt to the broadest range of feeding applications. The base feeder features a static hopper, trough and feed screw for free flowing materials. A secondary trough-conditioning screw can be used for difficult materials, or Vibra Screw's controlled vibration design can be used for even tougher-to-handle materials. The AccuFeed™ permits selection of the most economical design for an initial application and offers the ability to upgrade the design as materials or characteristics change.

## THE VIBRA SCREW GUARANTEE

If your Vibra Screw equipment doesn't perform in the service for which it was sold, we'll refund your money. Ask any other equipment manufacturer to put that in writing.

**No time limits. No conditions.**

## Easy Clean, Washable Design

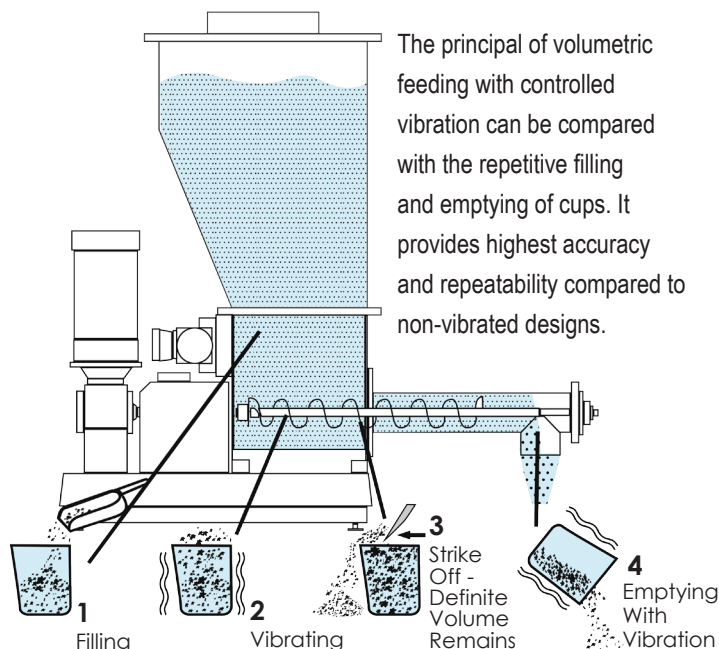
All AccuFeeds are designed as standard with molded components for quick no tools disassembly. Models 2 inch screw size and smaller additionally include an easy clean feed trough with built in drain and external connection so the unit can be washed in place. Contact materials are USDA and FDA approved polyethylene and stainless steel for sanitary compliance and excellent chemical resistance. The unit is ideal for food processors or anywhere that frequent, thorough cleaning is required.

AccuFeed™ is available in interchangeable  $\frac{1}{2}$  to 6 inch screw sizes for rates up to 600 cubic feet per hour.

## Loss-In-Weight Compatibility

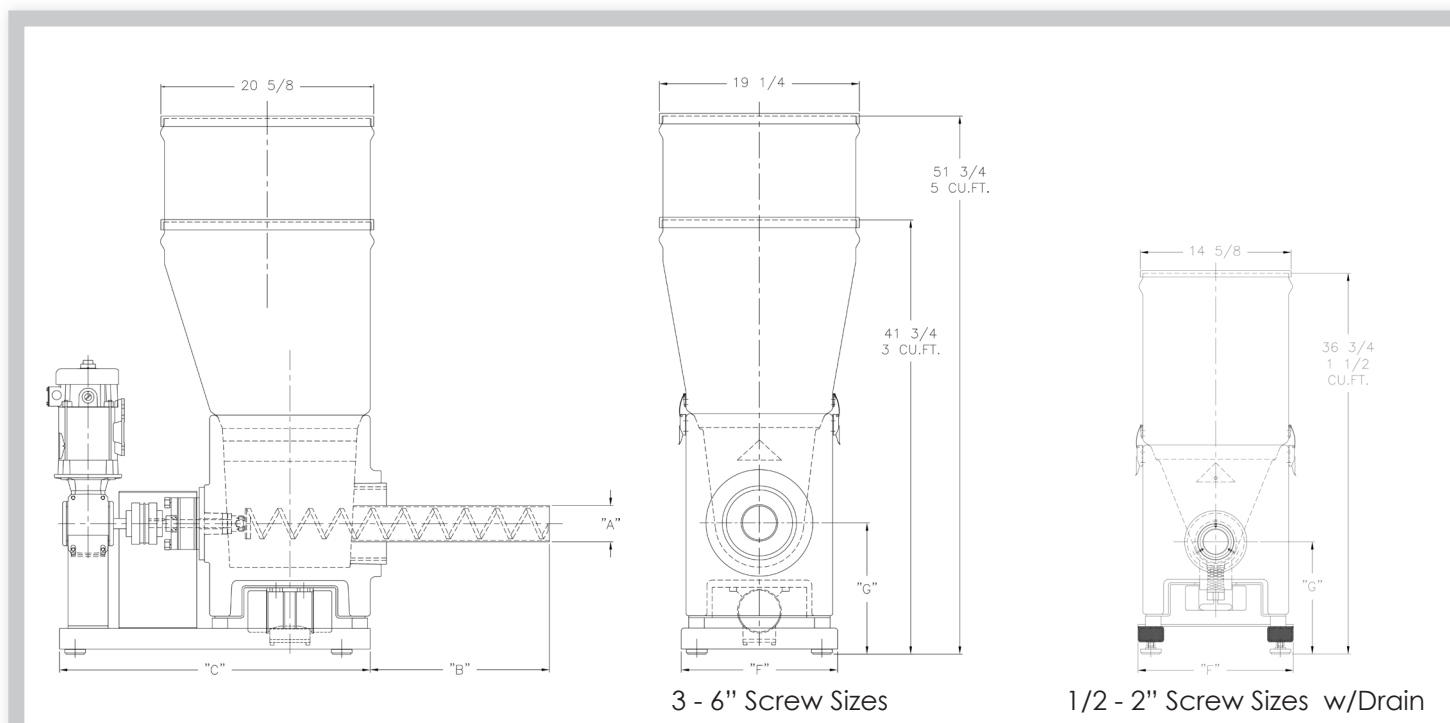
With unit weight significantly less than all metal units, AccuFeeds™ are suited to loss-in-weight feed applications where reduced tare weight means greater system resolution and higher accuracy.

## To Fill a Volume



# AccuFeed Volumetric Feeder

## Composite Screw Feeders



3 - 6" Screw Sizes

1/2 - 2" Screw Sizes w/Drain

Screw diameter	"A" O.D.	"B"	"C"	"D"	"E"	"F"	"G"	CAP CU/FT	CU FT/HR	CU M/HR
1/2"	3/4"	9 1/8"	28 1/4"	20 5/8"	14 5/8"	15"	10 7/8"	1 1/2	0.24	0.007
5/8"	7/8"	9 1/8"	28 1/4"	20 5/8"	14 5/8"	15"	10 7/8"	1 1/2	0.52	0.01
3/4"	1.05"	9 1/8"	28 1/4"	20 5/8"	14 5/8"	15"	10 7/8"	1 1/2	1	0.03
1"	1 1/2"	9 1/8"	28 1/4"	20 5/8"	14 5/8"	15"	10 7/8"	1 1/2	2.8	0.1
1 1/2"	2"	9 1/8"	28 1/4"	20 5/8"	14 5/8"	15"	10 7/8"	1 1/2	8.8	0.2
2"	2 1/2"	9 1/8"	28 1/4"	20 5/8"	14 5/8"	15"	10 7/8"	1 1/2	23	0.6
3"	3 1/2"	17 3/8"	30"	20 5/8"	19 1/4"	15"	12 5/8"	3	74	2.0
3"	3 1/2"	17 3/8"	30"	20 5/8"	19 1/4"	15"	12 5/8"	5	74	2.0
4"	4 1/2"	17 3/8"	30"	20 5/8"	19 1/4"	15"	12 5/8"	3	200	6.0
4"	4 1/2"	17 3/8"	30"	20 5/8"	19 1/4"	15"	12 5/8"	5	200	6.0
6"	6 5/8"	17 3/8"	30"	20 5/8"	19 1/4"	15"	12 5/8"	3	600	17.0
6"	6 5/8"	17 3/8"	30"	20 5/8"	19 1/4"	15"	12 5/8"	5	600	17.0

\* Note: Screw sizes 2 inch and smaller use easy clean feed trough with drain.

### CONTACT MATERIALS

- Polyethylene
- Stainless steel

### EXTERNAL CONSTRUCTION

- Carbon steel

### COATINGS

- Standard external-enamel
- Optional external-epoxy

### DRIVES

- DC or AC TEFC with reducer 115/1/60, 230 or 460/3/60
- Explosion proof

### SANITARY APPLICATION

- Food grade gaskets and seals
- Guards, covers held with hand fasteners