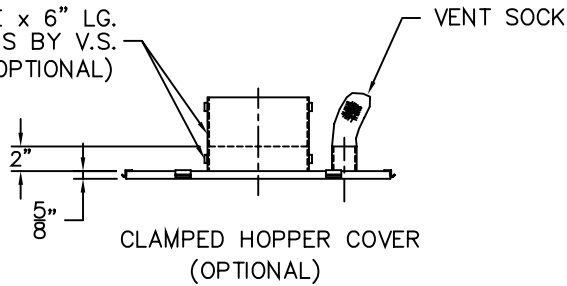
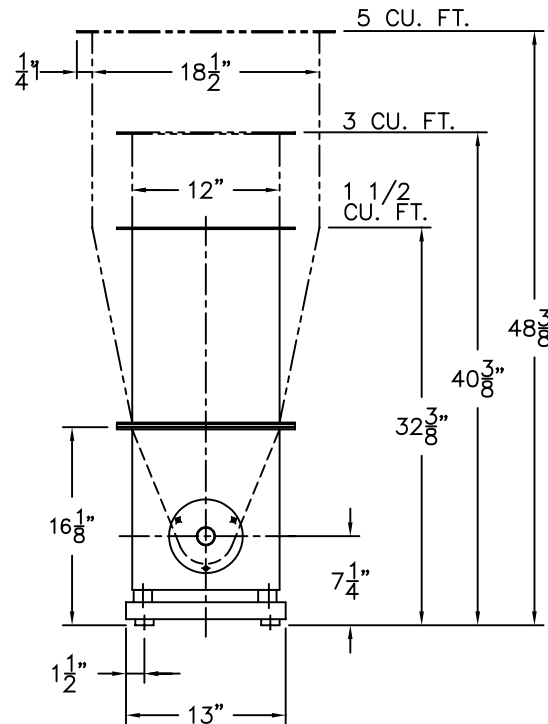
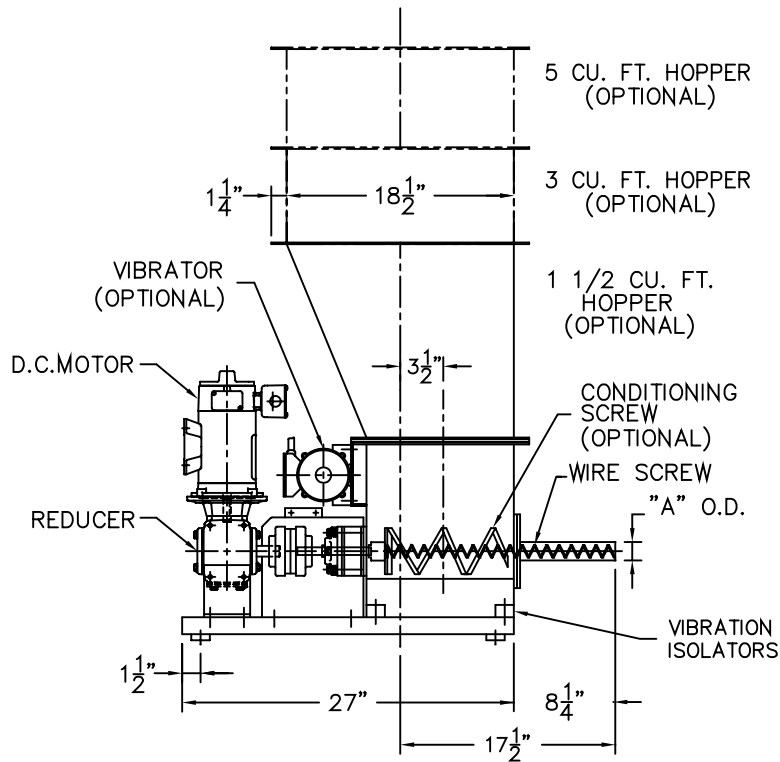


FLEX. SLEEVE x 6" LG.
& (2) CLAMPS BY V.S.
(OPTIONAL)

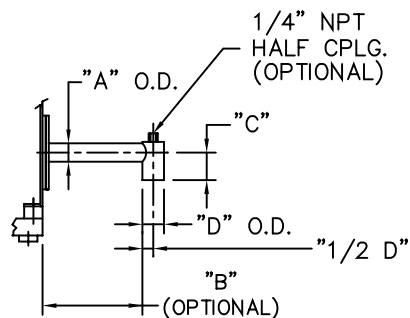


SCREW SIZE	DIM "A"	DIM "B"	DIM "C"	DIM "D"	DIM "E"
1"	1 1/2"	9"	2 1/4"	1 3/4"	3 1/2"
1 1/2"	2"	9 1/4"	3"	2 1/2"	4"
2"	2 1/2"	9 1/2"	3"	2 3/4"	4"

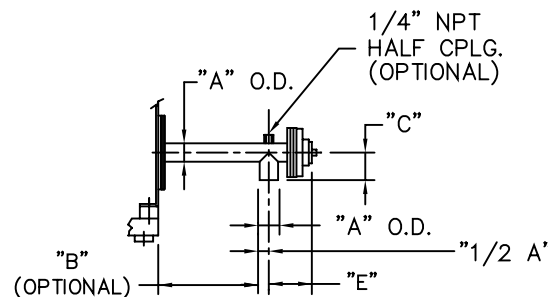


SCREW SIZE	VOLUMETRIC RATE CAPACITY	
1"	CU. FT./HR.	.28 TO 2.8
	CU. M./HR.	.01 TO .1
1 1/2"	CU. FT./HR.	.88 TO 8.8
	CU. M./HR.	.02 TO .2
2"	CU. FT./HR.	2.3 TO 23
	CU. M./HR.	.06 TO .6

CONTACT MATERIAL: 304 STAINLESS STEEL,
CARBON STEEL OR 316 STAINLESS STEEL.



DOWNSPOUT-CAN TYPE
(OPTIONAL)



DOWNSPOUT & END BRNG. SCREW SUPPORT
(OPTIONAL)

THE RECIPIENT OF THIS DOCUMENT AGREES NOT TO REPRODUCE, COPY, TRANSMIT OR USE THIS DOCUMENT AND/OR THE INFORMATION CONTAINED IN THIS DOCUMENT IN WHOLE OR IN PART, FOR ANY PURPOSE, EXCEPT WITH THE WRITTEN PERMISSION OF VIBRA SCREW INCORPORATED.

THIS DRAWING TO BE USED FOR REFERENCE ONLY

<i>Vibra Screw Incorporated</i>		
755 UNION BLVD.		TOTOWA, N.J. 07512
TITLE STANDARD 1", 1 1/2" & 2" VERSIFEEDER		
DWN/DATE I.S. 5/08/2001	DWG. NO. 16732A	REV. NO. 1
CAD FILE: N:\FEED\SCR\VF\STDASSY\16732A		