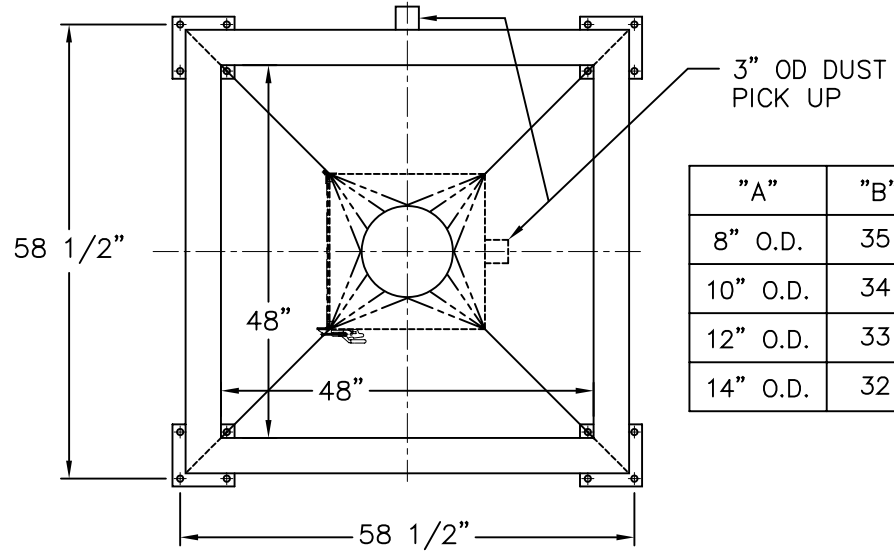
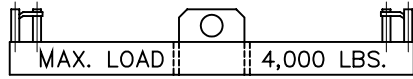
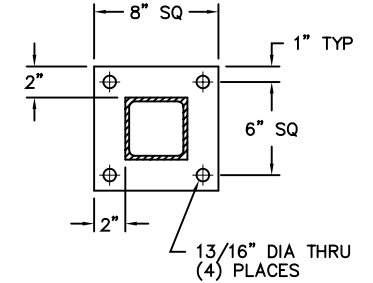
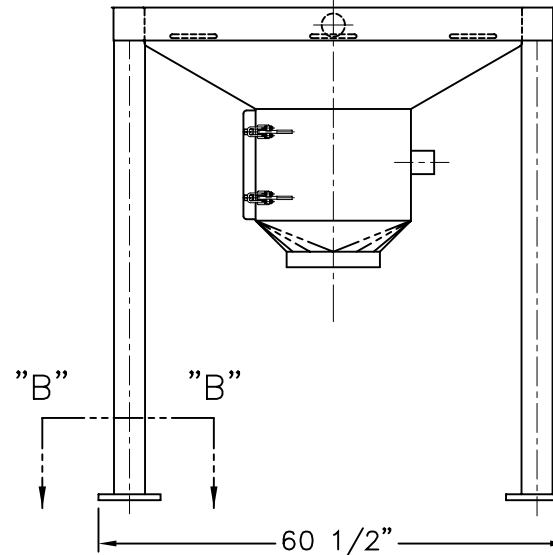
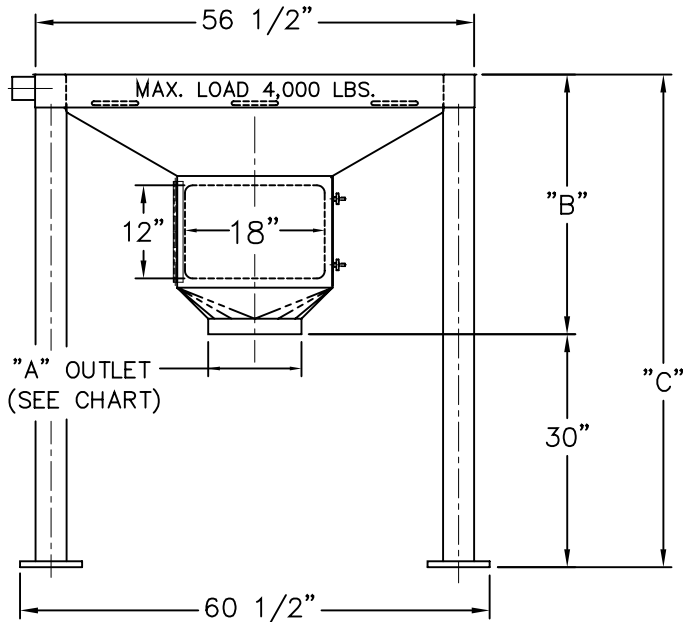


BAG LIFTING ADAPTER
(OPTIONAL)



"A"	"B" DIM.	"C" DIM.
8" O.D.	35 1/2"	65 1/2"
10" O.D.	34 1/2"	64 1/2"
12" O.D.	33 1/2"	63 1/2"
14" O.D.	32 1/2"	62 1/2"



SECTION : B-B
(4) PLACES
SCALE: 2 = 1

THE RECIPIENT OF THIS DOCUMENT AGREES NOT TO REPRODUCE, COPY, TRANSMIT OR USE THIS DOCUMENT AND/OR THE INFORMATION CONTAINED IN THIS DOCUMENT IN WHOLE OR IN PART, FOR ANY PURPOSE, EXCEPT WITH THE WRITTEN PERMISSION OF VIBRA SCREW INCORPORATED.

- 1 - CONTACT MATERIAL : RECEIVER - CARBON STEEL, 304 SS OR 316 SS.
- 2 - SUPPORT FRAME - CARBON STEEL CONSTRUCTION.
- 3 - BAG TO BE LIFTED & SUPPORTED BY CUSTOMER.
- 4 - UNLOADER MUST BE PROPERLY SECURED IN PLACE BEFORE USE.
- 5 - DOOR ORIENTATION CAN CHANGE UPON REQUEST.



Vibra Screw Incorporated

755 Union Blvd. Totowa, N.J. 07512-2207

TITLE

BULK BAG UNLOADER
MODEL I - HD

DWN. / DATE:

FP 07/02/99

DWG. NO.

17820-SD

CAD FILE NAME

BBU\NEWDSGN\SALES\17820-SD

REV 1