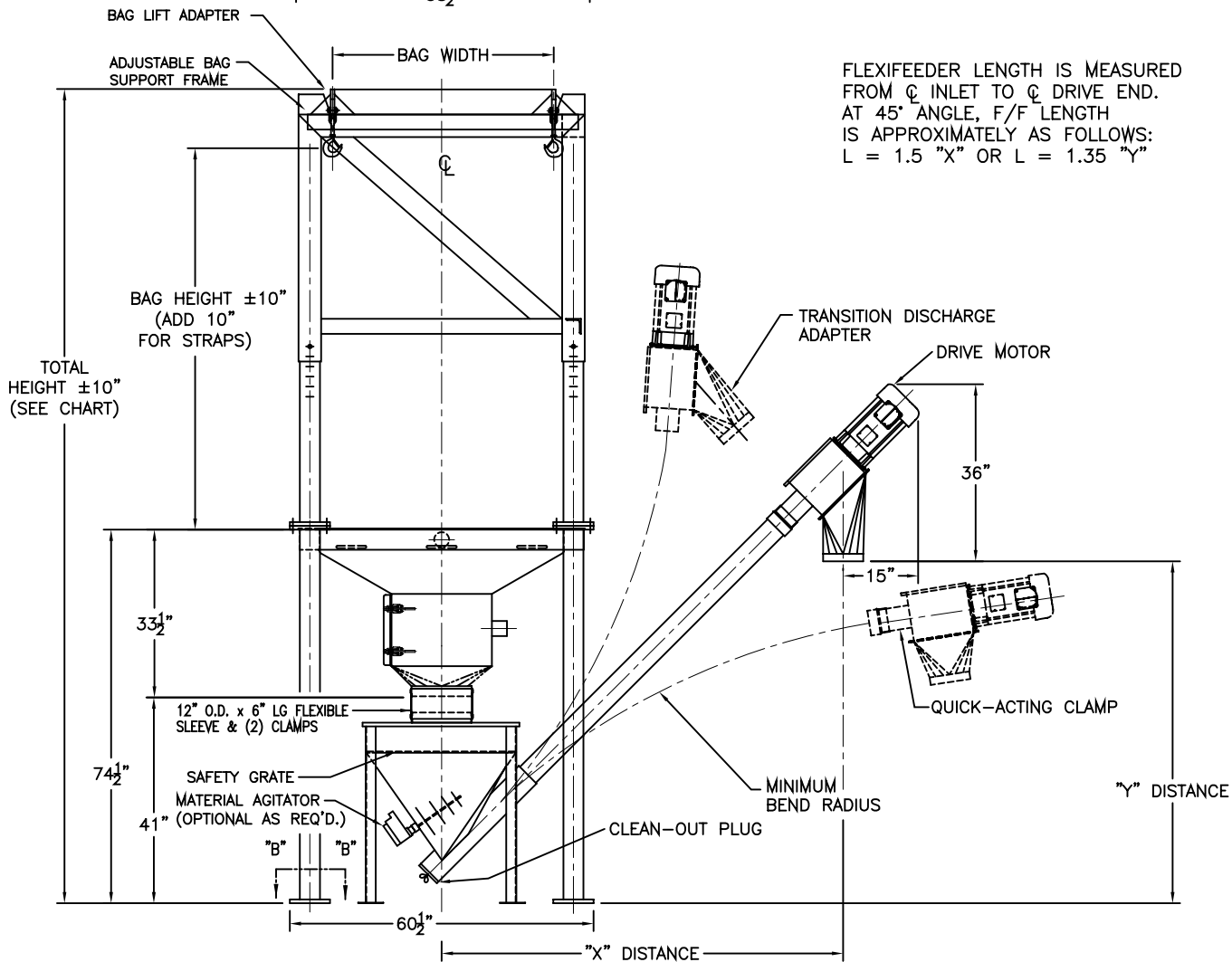


SECTION : B-B


(4) PLACES
SCALE: 2 = 1



FLEXIFEEDER LENGTH IS MEASURED FROM ϕ INLET TO ϕ DRIVE END. AT 45° ANGLE, F/F LENGTH IS APPROXIMATELY AS FOLLOWS:
 $L = 1.5 "X"$ OR $L = 1.35 "Y"$

FLEXIFEEDER UNIT DATA				
MODEL	TUBE	MIN. BEND	MAX.LG.	MOTOR
50	2	3 FT	20 FT	1 HP
100	2 1/4	4 FT	30 FT	1 1/2 HP
200	2 3/8	5 FT	30 FT	2 HP
300	3 1/8	20 FT	40 FT	3 HP
400	4 1/2	40 FT	60 FT	5 HP

THE RECIPIENT OF THIS DOCUMENT AGREES NOT TO REPRODUCE, COPY, TRANSMIT OR USE THIS DOCUMENT AND/OR THE INFORMATION CONTAINED IN THIS DOCUMENT IN WHOLE OR IN PART, FOR ANY PURPOSE, EXCEPT WITH THE WRITTEN PERMISSION OF VIBRA SCREW INCORPORATED.

 Vibra Screw Incorporated 755 Union Blvd. Totowa, N.J. 07812-2207	
TITLE: BULK BAG UNLOADER MODEL II-HD WITH FORKLIFT ADAPTER WITH FLEXIFEEDER (MODELS 50-400)	
DWN. / DATE: FrancescoP	DWG. NO. 17848
CAD FILE NAME: N:\FLEXIFEEDER\17848	DATE: 08/24/99

TOTAL HEIGHT WITH BAG LENGTH SHOWN (INCLUDES 10" STRAPS)					
36" BAG	42" BAG	48" BAG	54" BAG	60" BAG	66" BAG
132 1/4"	138 1/4"	144 1/4"	150 1/4"	156 1/4"	162 1/4"