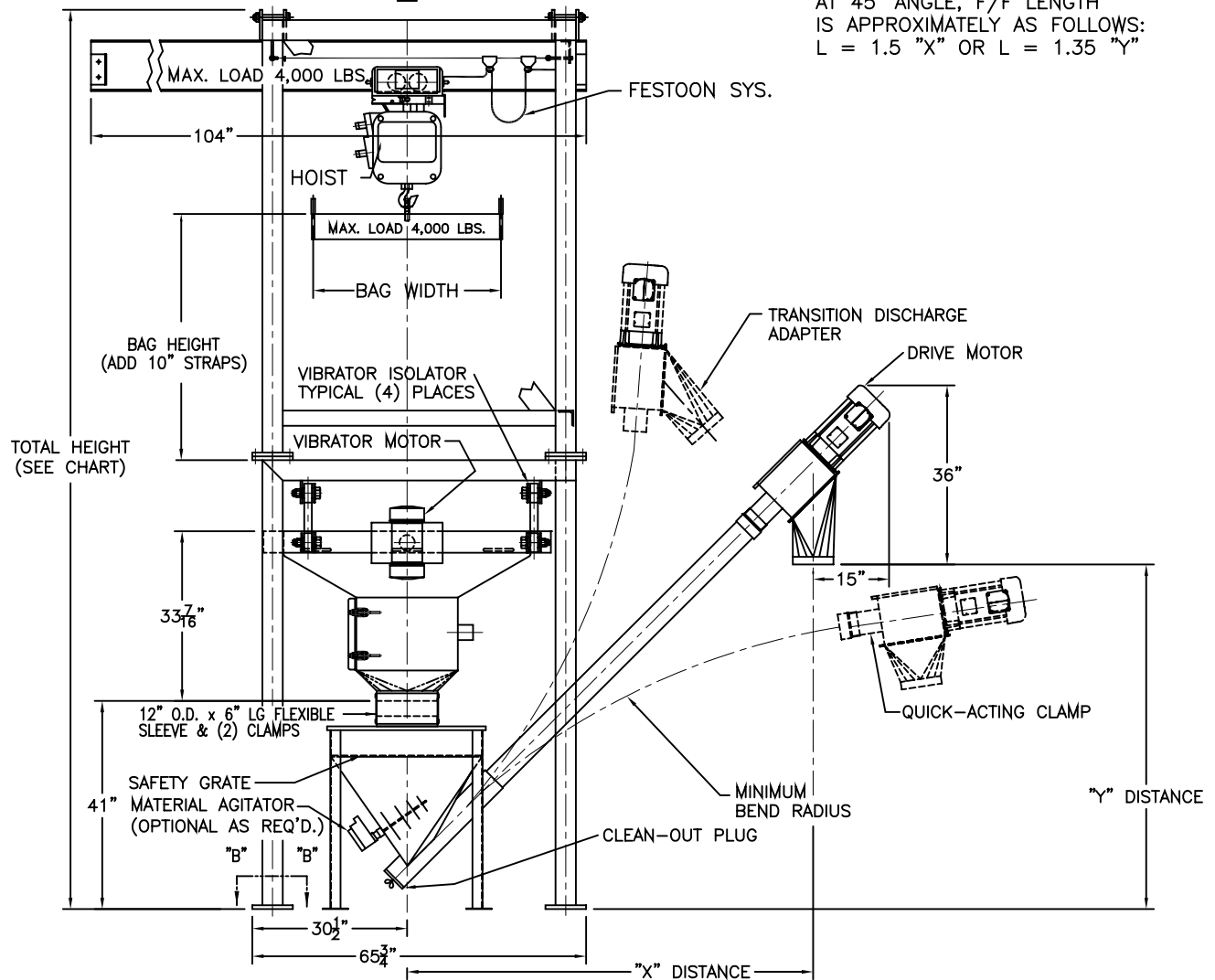



SECTION : B-B
(4) PLACES
SCALE: 2 = 1

FLEXIFEEDER LENGTH IS MEASURED FROM ϕ INLET TO ϕ DRIVE END. AT 45° ANGLE, F/F LENGTH IS APPROXIMATELY AS FOLLOWS:
 $L = 1.5 "X"$ OR $L = 1.35 "Y"$



FLEXIFEEDER UNIT DATA				
MODEL	TUBE	MIN. BEND	MAX.LG.	MOTOR
50	2	3 FT	20 FT	1 HP
100	2 1/4	4 FT	30 FT	1 1/2 HP
200	2 3/8	5 FT	30 FT	2 HP
300	3 1/8	20 FT	40 FT	3 HP
400	4 1/2	40 FT	60 FT	5 HP

THE RECIPIENT OF THIS DOCUMENT AGREES NOT TO REPRODUCE, COPY, TRANSMIT OR USE THIS DOCUMENT AND/OR THE INFORMATION CONTAINED IN THIS DOCUMENT IN WHOLE OR IN PART, FOR ANY PURPOSE, EXCEPT WITH THE WRITTEN PERMISSION OF VIBRA SCREW INCORPORATED.

	Vibra Screw Incorporated 755 Union Blvd. Totowa, N.J. 07812-2207	
	TITLE: BULK BAG UNLOADER MODEL II-V-HD WITH HOIST WITH FLEXIFEEDER (MODELS 50-400)	
DWG. / REV: FP 08/24/99 REV.: 5/10/01	DWG. NO. 17849	
CAD FILE NAME N:\FLEXIFEEDER\17849		REV 1

TOTAL HEIGHT WITH BAG LENGTH SHOWN (INCLUDES 10" STRAPS)					
36" BAG	42" BAG	48" BAG	54" BAG	60" BAG	66" BAG
177 1/8"	183 1/8"	189 1/8"	195 1/8"	201 1/8"	207 1/8"