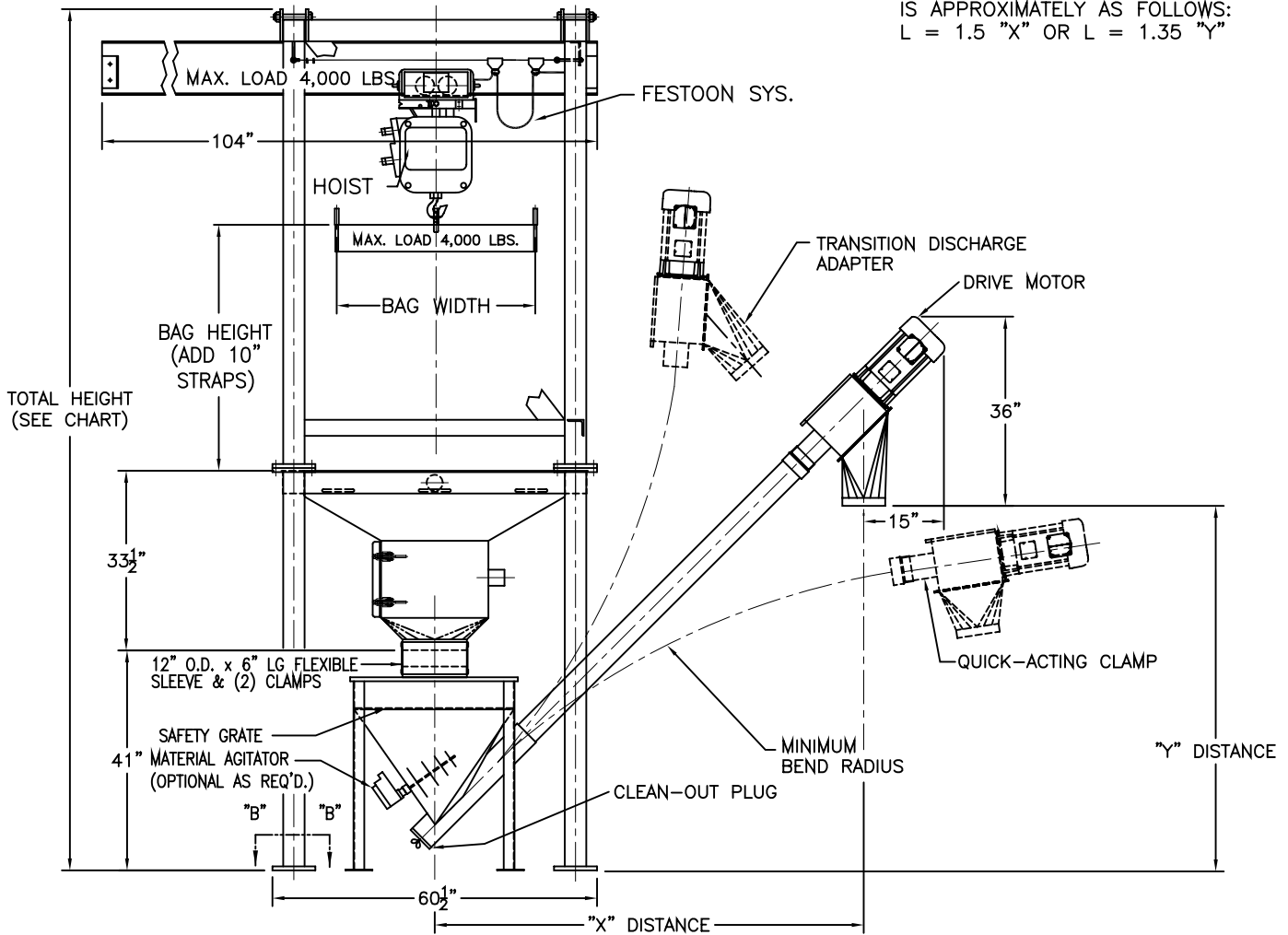


SECTION : B-B

(4) PLACES  
SCALE: 2 = 1


FLEXIFEEDER LENGTH IS MEASURED FROM  $\phi$  INLET TO  $\phi$  DRIVE END. AT 45° ANGLE, F/F LENGTH IS APPROXIMATELY AS FOLLOWS:  
 $L = 1.5 \text{ "X"}$  OR  $L = 1.35 \text{ "Y"}$



FLEXIFEEDER UNIT DATA

MODEL	TUBE	MIN. BEND	MAX. LG.	MOTOR
50	2	3 FT	20 FT	1 HP
100	2 1/4	4 FT	30 FT	1 1/2 HP
200	2 3/8	5 FT	30 FT	2 HP
300	3 1/8	20 FT	40 FT	3 HP
400	4 1/2	40 FT	60 FT	5 HP

THE RECIPIENT OF THIS DOCUMENT AGREES NOT TO REPRODUCE, COPY, TRANSMIT OR USE THIS DOCUMENT AND/OR THE INFORMATION CONTAINED IN THIS DOCUMENT IN WHOLE OR IN PART, FOR ANY PURPOSE, EXCEPT WITH THE WRITTEN PERMISSION OF VIBRA SCREW INCORPORATED.

 <b>Vibra Screw Incorporated</b> 755 Union Blvd. Totowa, N.J. 07812-2207	
TITLE: <b>BULK BAG UNLOADER MODEL II-HD WITH HOIST WITH FLEXIFEEDER (MODELS 50-400)</b>	
DWG. / REV.: FP 08/24/99 REV.: 5/10/01	DWG. NO. <b>17851</b>
CAD FILE NAME: N:\FLEXIFEEDER\17851	
REV 1	

TOTAL HEIGHT WITH BAG LENGTH SHOWN (INCLUDES 10" STRAPS)

36" BAG	42" BAG	48" BAG	54" BAG	60" BAG	66" BAG
160 3/4"	166 3/4"	172 3/4"	178 3/4"	184 3/4"	190 3/4"