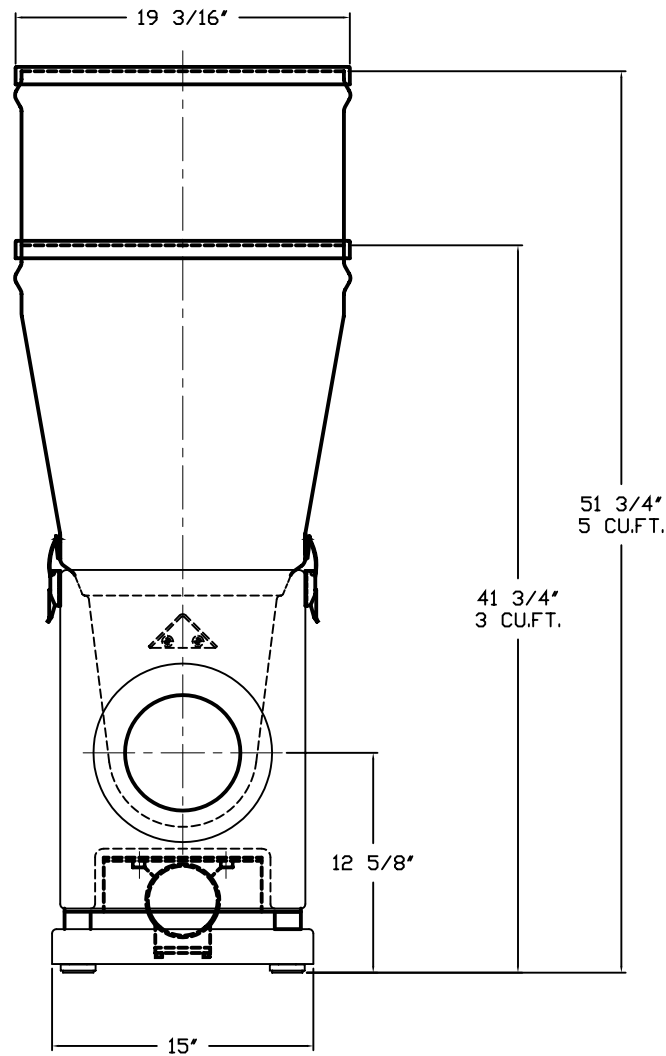


Dimensions and Rates		
Screw Diameter	"A" O.D.	Cu.Ft./Hr
3"	3 1/2"	74
4"	4 1/2"	200
6"	6 5/8"	600



**NOTES -**

- CONTACT MATERIAL - POLYETHYLENE, SCREW & TUBE - 304 SS.
- DRIVE MOTOR - 1 HP, TEFC, 1750 RPM, 90 VA PERMANENT MAGNET DC MOTOR, 56 C-FACE, MODEL No. CDP-3445 OR EQUAL.
- SPEED REDUCER - MODEL #BMQ-821-10-R-56, 10:1 RATIO.
- CONTROLLER - STD. SCR CONTROLLER IN NEMA 4 ENCLOSURE, 115V/1/60HZ. INPUT.
- VIBRATOR - MODEL No. VE 1/36/120, 3600 RPM, 115V/1/60HZ.
- CARBON STEEL SURFACES TO BE PAINTED W/ STD. V.S. WHITE ENAMEL.

DO NOT SCALE PRINT

UNLESS OTHERWISE SPECIFIED DIMENSIONS ARE IN INCHES

TOLERANCES:  
 .XX = ±.01  
 .XXX = ±.005  
 FRACTIONAL = ±1/32"  
 ANGULAR = ±1/2"  
 BREAK SHARP EDGES .005-.015  
 ALL SMALL FILLETS .020-.040R.  
 ALL FINISHED SURFACES 63-125 MICRO INCHES



**Vibra Screw Incorporated**  
 755 Union Blvd. Totowa, N.J. 07812-2207

TITLE  
**6" AccuFeed Feeder**  
 with 5 CU. FT. Hopper

SCALE 3/16"=1" JVP 8/12/05 DWG. NO. AF-C-18068  
 CAD FILE NAME n:\feeder\screw\accufeed\dat\6in\18068

REV.	DESCRIPTION	CHK. BY DATE	APP. BY DATE
1	RELEASED FOR WEBSITE	JVP 8/18/05	

REV. NO. 1