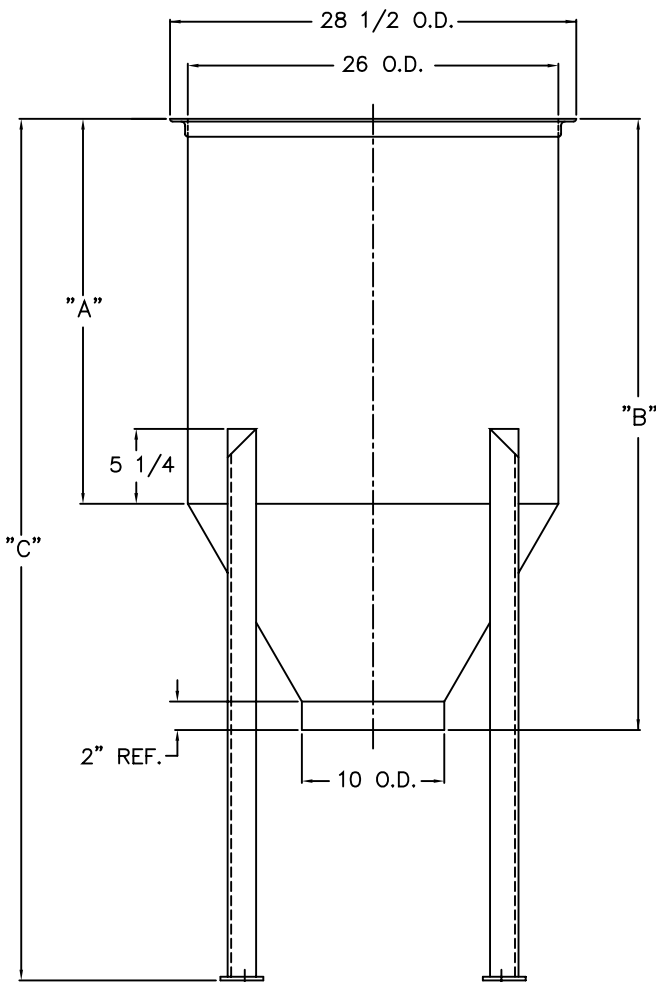
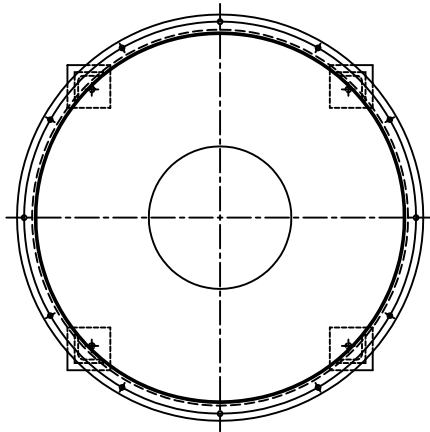


VIBRA SCREW INC.
 ENGINEERING DATA SHEET
VERSI FEEDER STATIC HOPPER
6 TO 15 CU. FT. CAPACITY



DASH NO.	BIN CAP.	"A"	"B"	"C"	WGT.
-1	6 CU. FT.	14 3/4	30 1/2	51	135
-2	8 CU. FT.	21 1/4	37	57 1/2	154
-3	10 CU. FT.	27 3/4	43 1/2	64	173
-4	12 CU. FT.	34 1/4	50	70 1/2	191
-5	15 CU. FT.	44	59 3/4	80 1/4	219

VIBRA SCREW INCORPORATED
 755 UNION BLVD., TOTOWA N.J. 07512
 PH: (973) 256-7410 FAX: (973) 256-7567
 E-Mail: info@vibrascrew.com * www.vibrascrew.com