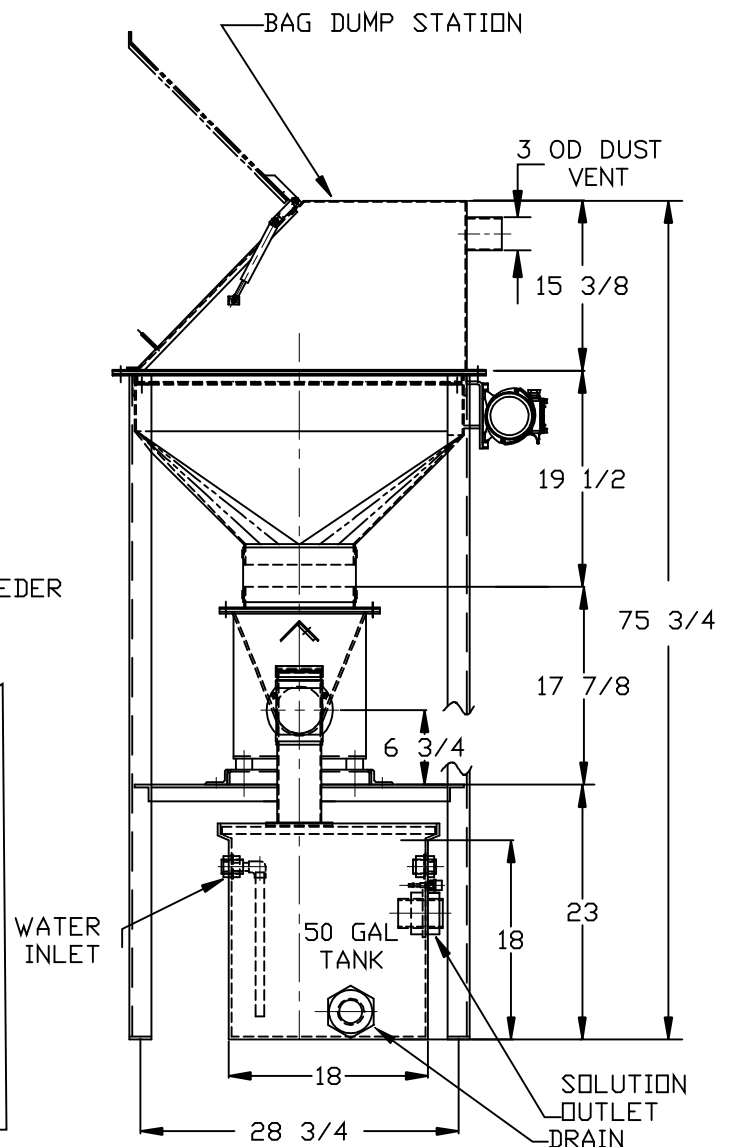
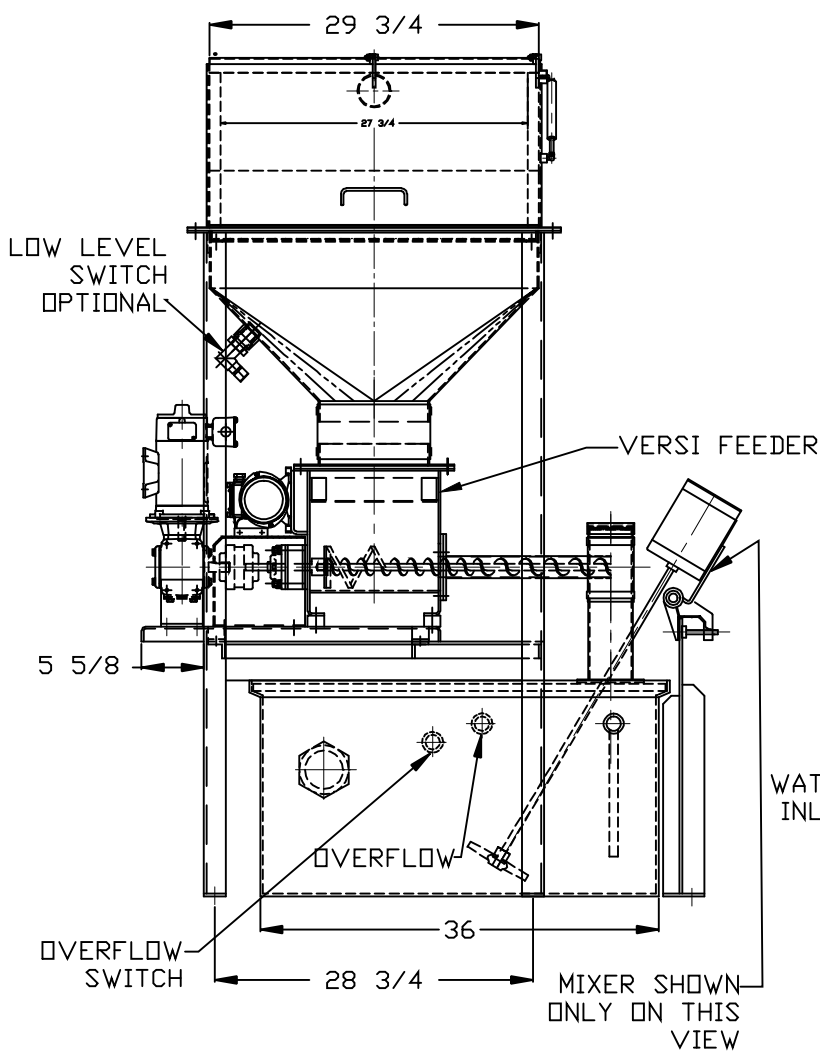
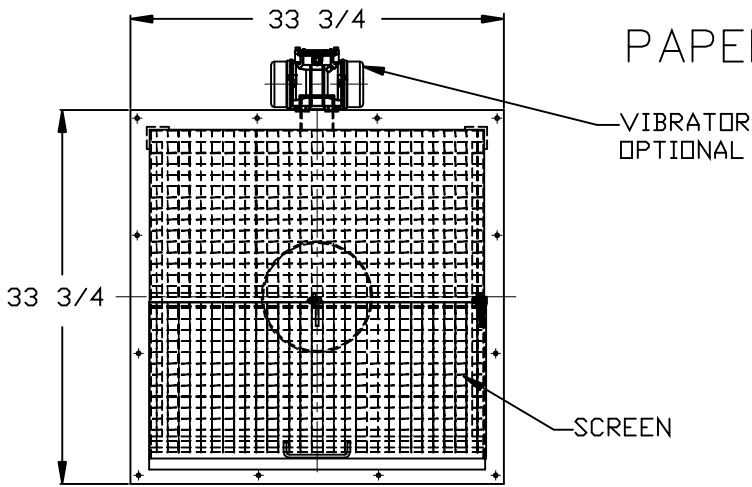


DOCUMENT NO. S111_REV_1
 DWN.: MJM -10-12-2011

VIBRA SCREW INC. ENGINEERING DATA SHEET CONTINUOUS MIXING SYSTEMS

PAPER BAG DUMP STATION



VIBRA SCREW INCORPORATED
 755 UNION BLVD., TOTOWA N.J. 070511
 PH: (973) 256-7410 FAX: (973) 256-7567
 E-Mail: info@vibrascrewinc.com * www.vibrascrewinc.com