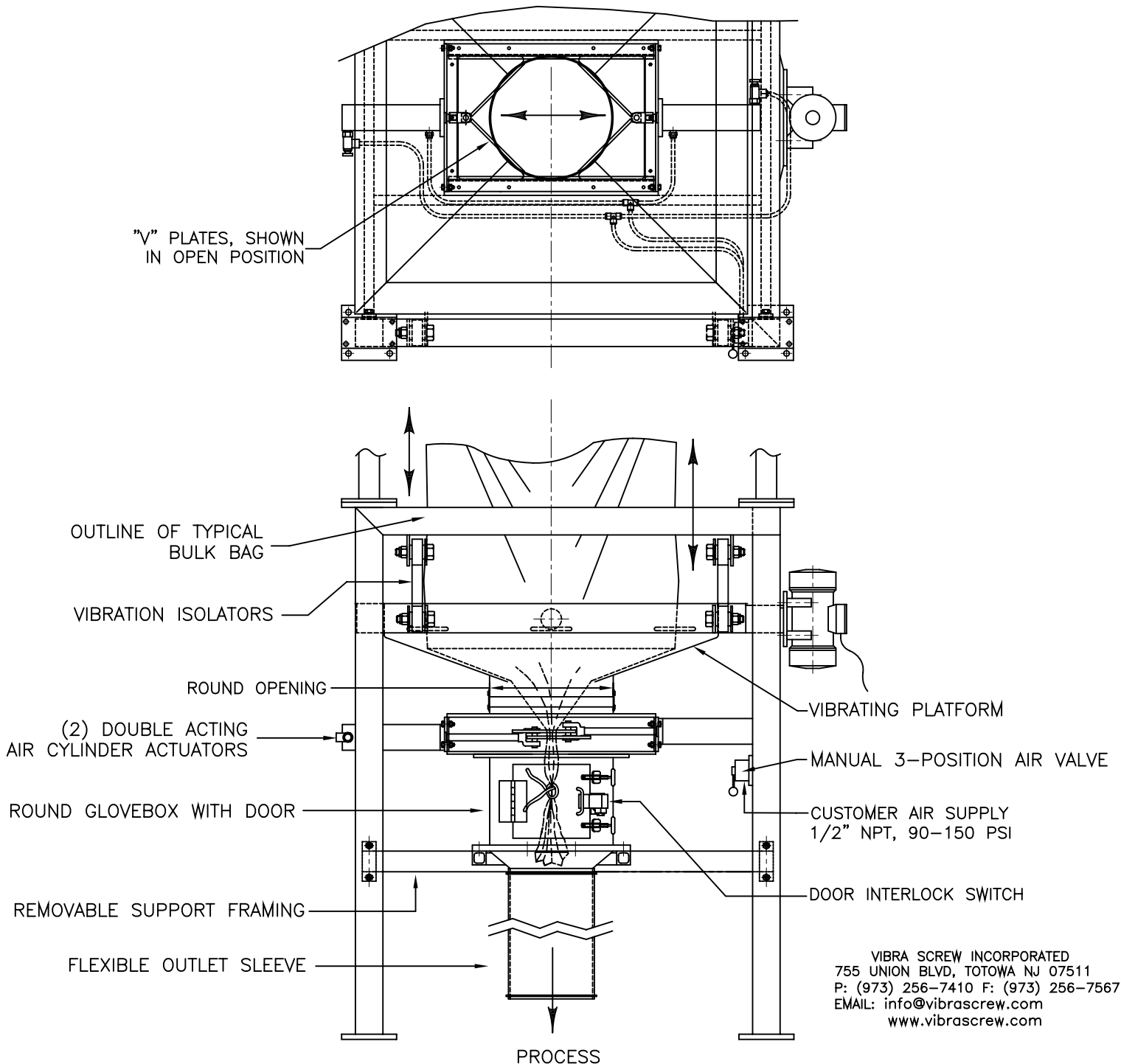


VIBRA SCREW, INC. ENGINEERING DATA SHEET BULK BAG UNLOADER – PNEUMATIC BAG CLOSURE VALVE

THE PNEUMATIC BAG CLOSURE VALVE IS DESIGNED TO STOP FLOW THROUGH THE BULK BAG OUTLET SLEEVE BY PINCHING IT CLOSED. TWO OPPOSING "V" PLATES (SHOWN BELOW) ARE POWERED BY DOUBLE ACTING PNEUMATIC CYLINDERS AND ACTIVATED BY A MANUALLY OPERATED AIR VALVE.

(NO ELECTRICAL CONNECTIONS ARE REQUIRED.)

TO REMOVE PARTIALLY EMPTY BAGS: CLOSE THE PNEUMATIC BAG CLOSURE VALVE. THEN SIMPLY EMPTY THE BULK BAG OUTLET SLEEVE (BELOW THE VALVE) INTO THE PROCESS. THEN TIE OFF THE EMPTY OUTLET SLEEVE, OPEN THE VALVE AND REMOVE THE BAG.



VIBRA SCREW INCORPORATED
 755 UNION BLVD, TOTOWA NJ 07511
 P: (973) 256-7410 F: (973) 256-7567
 EMAIL: info@vibrascrew.com
 www.vibrascrew.com