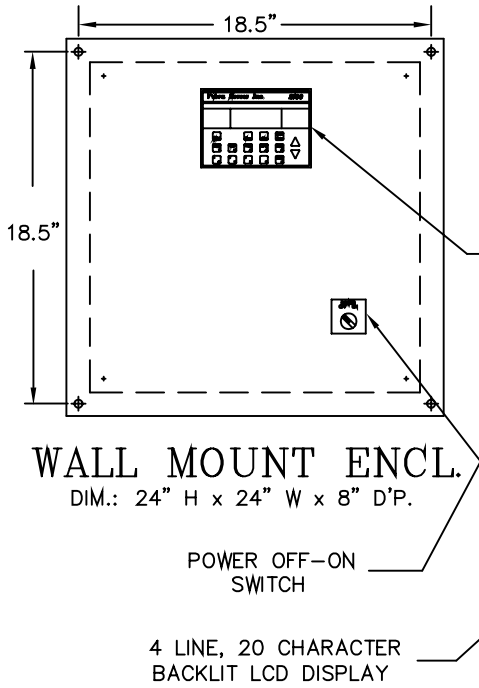
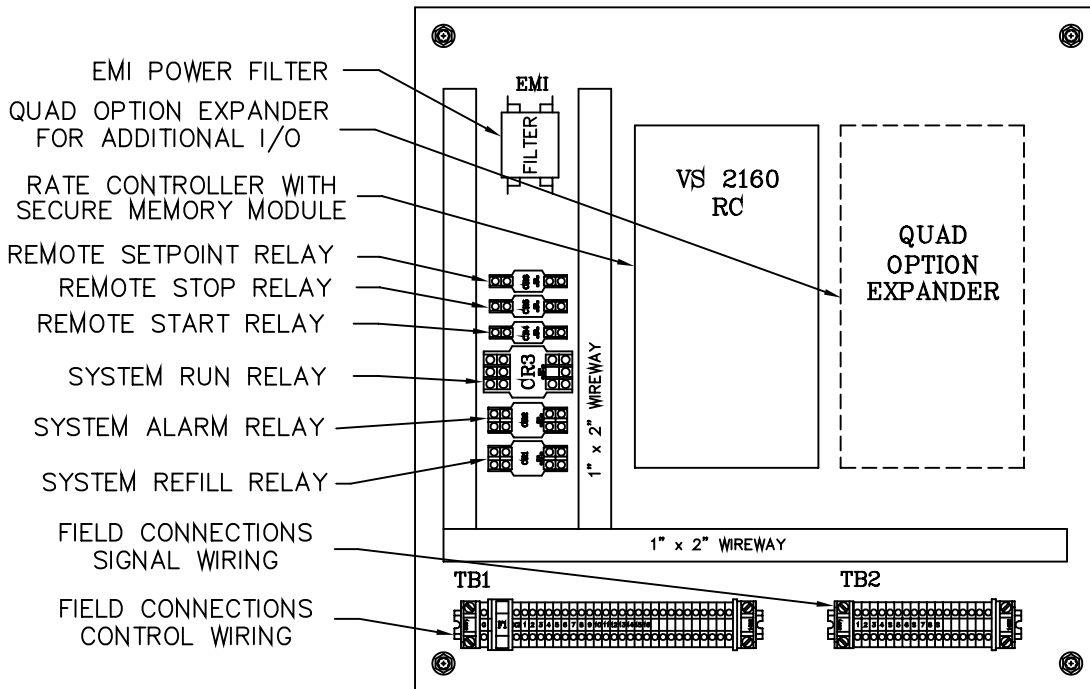
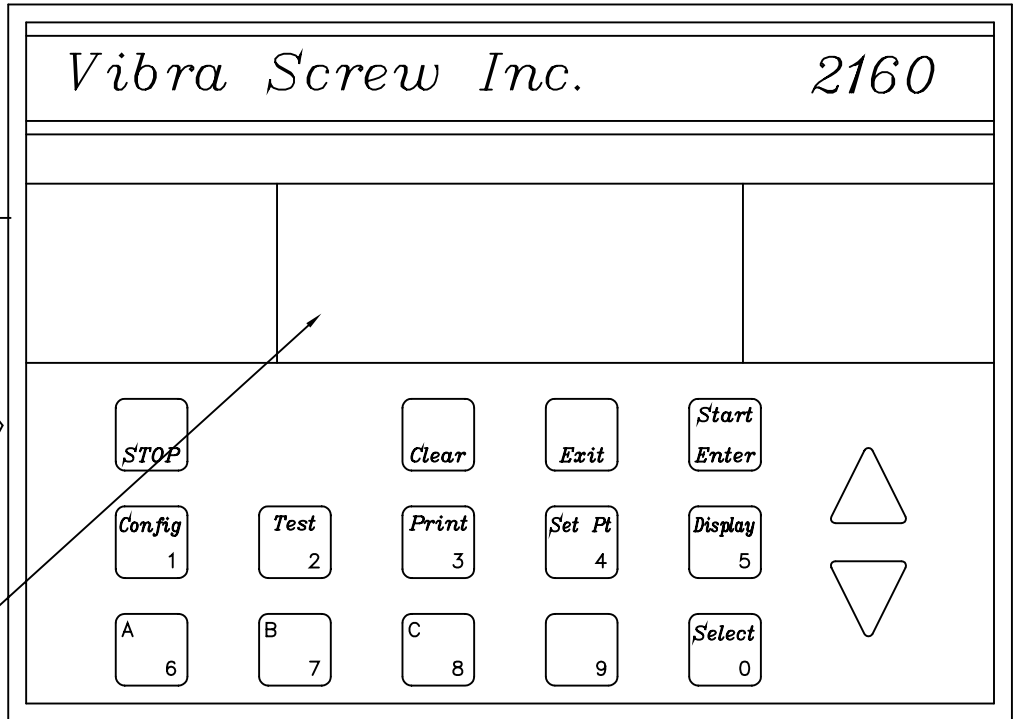


Vibra Screw Incorporated
 MODEL 2160
 CONTINUOUS LIW CONTROLLER

DOCUMENT NO. S120
 N:\SALES\LIW_HI-2160
 REV. 2 2/12/01



USER INTERFACE



PANEL LAYOUT

VIBRA SCREW INCORPORATED
 755 UNION BLVD., TOTOWA, N.J. 07512
 PH: (973) 256-7410 FAX: (973) 256-7567
 E-MAIL: info@vibrascrewinc.com * www.vibrascrewinc.com