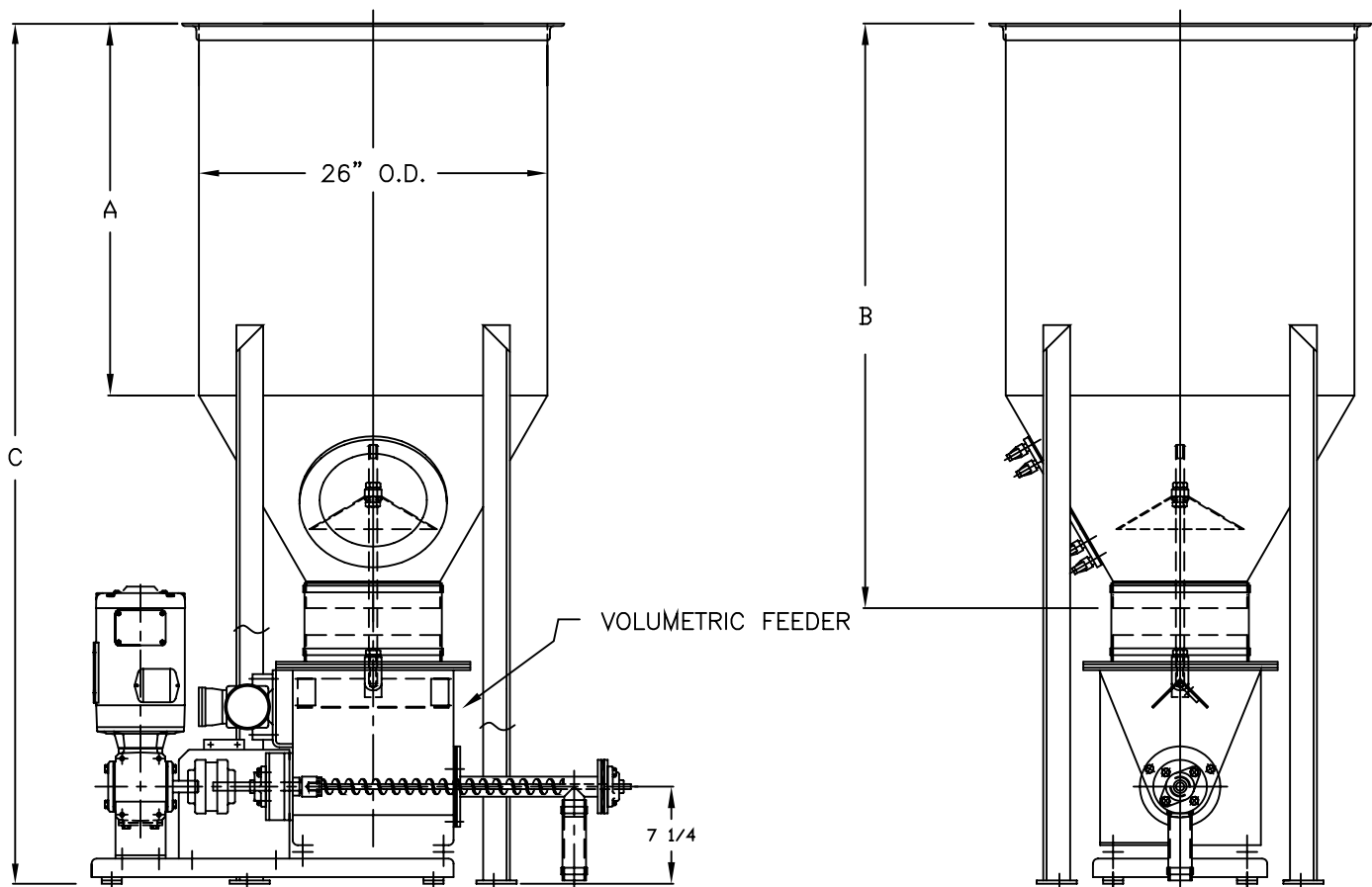


VIBRA SCREW INC.
ENGINEERING DATA SHEET
VERSI FEEDER WITH STATIC HOPPER



HOPPER CAP.	"A"	"B"	"C"	APPROX. WGT.
6 CU. FT.	14 3/4	30 1/2	51	285 LBS
8 CU. FT.	21 1/4	37	57 1/2	304 LBS
10 CU. FT.	27 3/4	43 1/2	64	323 LBS
12 CU. FT.	34 1/4	50	70 1/2	341 LBS
15 CU. FT.	44	59 3/4	80 1/4	370 LBS
20 CU. FT.	60 1/4	76	96 1/2	417 LBS