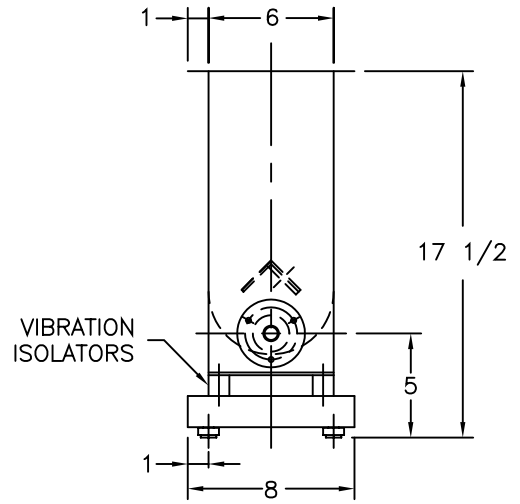
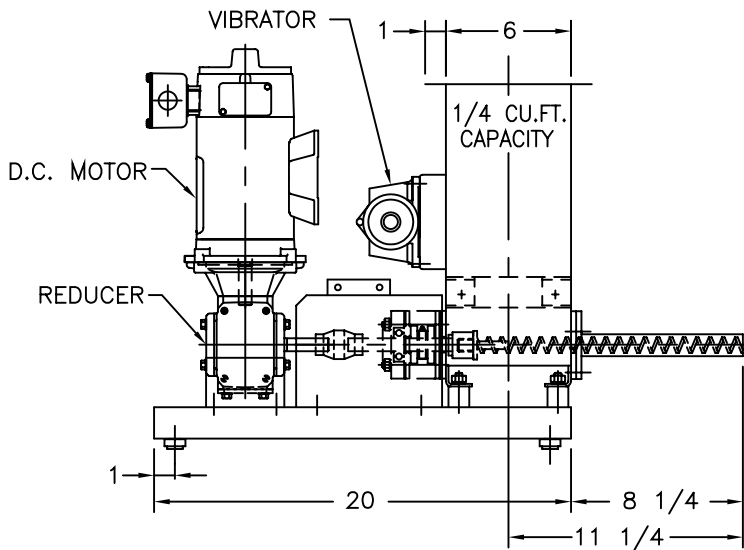
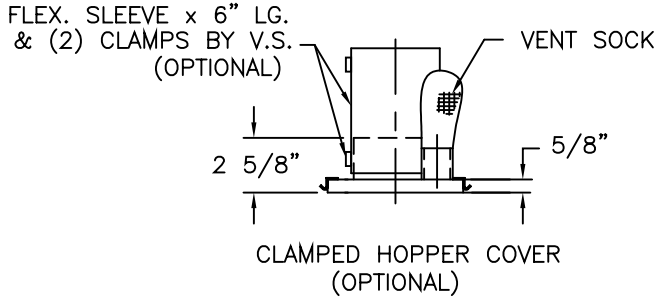


VIBRA SCREW INC.
 ENGINEERING DATA SHEET
 MINI-VERSI FEEDER
 1/4 CU. FT. HOPPER

DOCUMENT NO. S130
 REV. 1
 DWN. I.S. 5/11/2001



VERSI SIZE	VOLUMETRIC RATE CAPACITY	
	1/4"	CU. FT./HR.
CU. M./HR.		0.0001 TO 0.001
3/8"	CU. FT./HR.	0.01 TO 0.10
	CU. M./HR.	0.0003 TO 0.003
1/2"	CU. FT./HR.	0.024 TO 0.24
	CU. M./HR.	0.0007 TO 0.007
5/8"	CU. FT./HR.	0.052 TO 0.52
	CU. M./HR.	0.001 TO 0.01
3/4"	CU. FT./HR.	0.1 TO 1.0
	CU. M./HR.	0.003 TO 0.03

VIBRA SCREW INCORPORATED
 755 UNION BLVD., TOTOWA N.J. 070512
 PH: (973) 256-7410 FAX: (973) 256-7567
 E-Mail: info@vibrascrew.com * www.vibrascrew.com