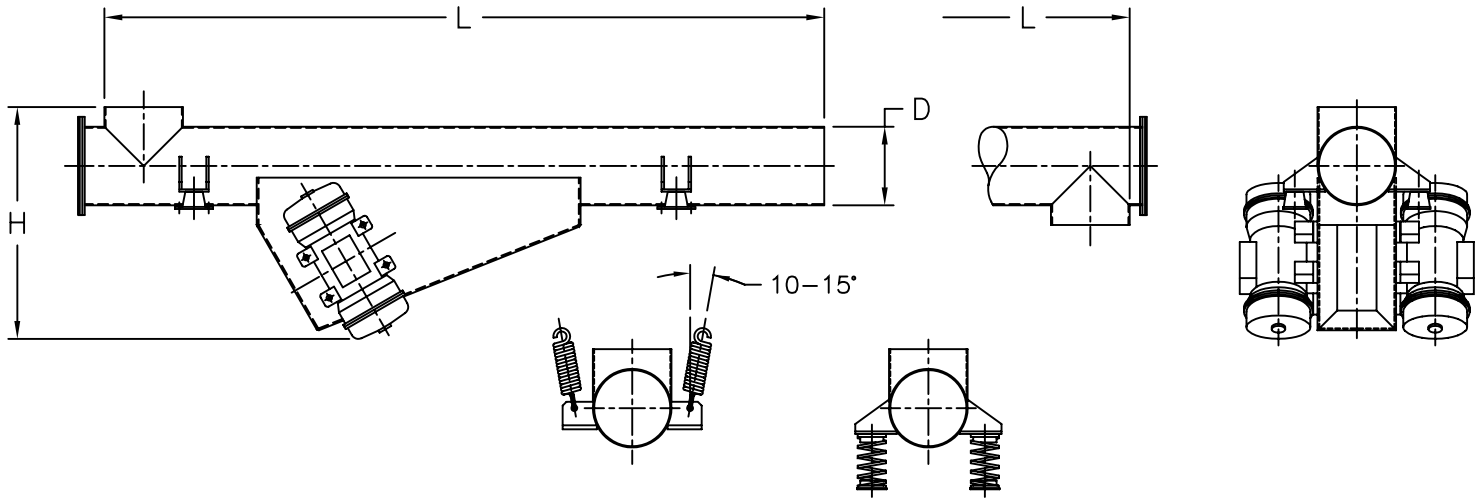


VIBRA SCREW INC.  
ENGINEERING DATA SHEET  
VIBRATING TUBE FEEDER

DOCUMENT NO. S142  
N:\SALES\TF\Document S142  
DWN.: L.K. 5/10/2002



OPTIONAL MOUNTING CONFIGURATIONS

TUBULAR MODEL	CAPACITY		DIM. - INCHES DxLxH	TOTAL		WT. LBS.
	TPH	CFH		HP	KW	
GA750/160-U1Y	7.9	158	6x30x19	0.37	0.28	66
GA1000/160-U1Y	7	140	6x40x19	0.37	0.28	70
GA1250/160-U1Y	6	120	6x50x19	0.37	0.28	77
GA1000/200-U2Y	15	300	8x40x21	0.62	0.46	95
GA1250/200-U2Y	14	280	8x50x21	0.62	0.46	99
GA1500/200-U4X	26	529	8x60x23	1	0.74	224
GA2000/200-U4X	24	475	8x80x23	1	0.74	240
GA1250/260-U4X	42	847	10x50x23	1	0.74	271
GA1500/260-U4X	44	880	10x60x23	1	0.74	288
GA1750/260-U4X	40	810	10x70x25	1	0.74	308
GA2000/260-U4X	37	740	10x80x25	1	0.74	330
GA3000/260-U6X	49	988	10x120x26	1.37	1.02	418
GA4000/260-U6X	42	847	10x160x26	1.37	1.02	473
GA5000/260-U10X	44	188	10x200x26	2.2	1.66	715
GA6000/260-U10X	42	847	10x240x26	2.2	1.66	825
GA1500/320-U4X	49	988	12x60x31	1	0.74	374
GA2000/320-U6X	76	1500	12x80x32	1.37	1.02	429
GA3000/320-U10X	81	1600	12x120x32	2.2	1.66	583
GA4000/320-U10X	78	1550	12x160x32	2.2	1.66	682
GA5000/320-U16X	79	1588	12x200x32	3	2.2	935
GA6000/320-U25X	85	1690	12x240x32	4	3	1,243
GA1500/400-U6X	95	1900	16x60x38	1.37	1.02	484
GA2000/400-U10X	114	2295	16x80x38	2.2	1.66	583
GA3000/400-U10X	61	1218	16x120x42	2.2	1.66	660
GA4000/400-U16X	114	2295	16x160x42	3	2.2	979
GA5000/400-U25X	120	2400	16x200x42	4	3	1,287
GA6000/400-U25X	114	2295	16x240x42	4	3	1,551

CAPACITY: SELECTION BASED ON:  
MATERIAL BEING 100 lbs./cu.ft. DENSITY  
HORIZONTAL POSITIONING

\* SEE NOTES

\* NOTES:  
CAPACITY = 100 lbs./cu.ft.  
VOLTAGE = 230-460/3/60  
FEED RATE CONTROLLER AVAILABLE

- a) CARBON OR STAINLESS STEEL CONTACT PARTS.  
CARBON STEEL EXTERNAL PARTS.
- b) ISOLATORS AVAILABLE AS COIL SPRING OR RUBBER PAD, COMPRESSION OR TENSION MOUNTING.
- c) UNBALANCED VIBRATORY DRIVES SUPPLIED AS SHOWN.
- d) CONTROLLABILITY BY VARIABLE FREQUENCY CONTROLLER OFFERING STEPLESS VARIABLE THROUGHPUT.
- e) DIMENSIONS STATED ARE NOMINAL AND ARE NOT TO BE USED FOR CONSTRUCTION PURPOSES.

VIBRA SCREW INCORPORATED  
755 UNION BLVD., TOTOWA N.J. 070511  
PH: (973) 256-7410 FAX: (973) 256-7567  
E-Mail: info@vibrascrewinc.com \* www.vibrascrewinc.com