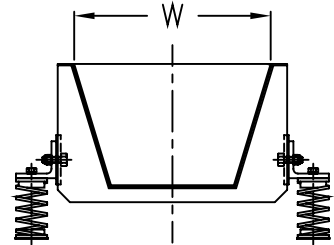
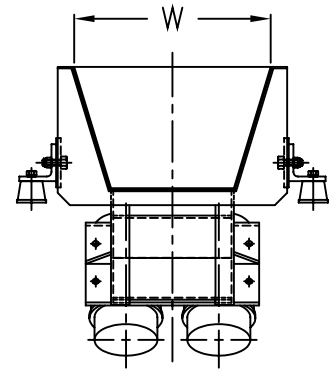
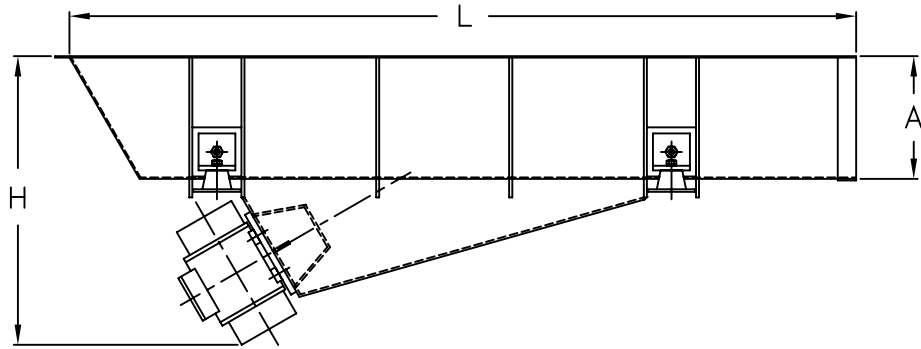


VIBRA SCREW INC.
ENGINEERING DATA SHEET
VIBRATING PAN FEEDER

DOCUMENT NO. S143
N:\SALES\PF\Document S143
DWN.: L.K. 5/10/2002



OPTIONAL MOUNTING
CONFIGURATION

OPEN TROUGH MODEL	CAPACITY		DIM.—INCHES LxWxHxA	TOTAL		WT. LBS.
	TPH	CFH		HP	KW	
OA500/300-U1Y	34	670	20x12x16x10	0.37	0.28	59
OA750/400-U1Y	19	388	29x16x16x10	0.37	0.28	79
OA1000/300-U1Y	19	388	40x12x18x10	0.37	0.28	81
OA1000/400-U1Y	18	353	40x16x18x10	0.37	0.28	88
OA1000/500-U2Y	55	1,095	40x20x18x10	0.62	0.46	103
OA1250/400-U3Y	62	1,236	49x16x19x10	0.62	0.46	158
OA1250/500-U4X	155	3,107	49x20x10x25	1	0.74	277
OA1250/650-U4X	169	3,390	49x25x25x10	1	0.74	299
OA1250/900-U4X	161	3,213	49x35x26x10	1	0.74	339
OA1500/500-U4X	125	2,507	59x20x26x10	1	0.74	330
OA1500/650-U4X	124	2,472	59x25x28x10	1	0.74	374
OA1500/900-U6X	212	4,237	59x35x29x10	1.37	1.02	484
OA1750/400-U4X	95	1,907	68x16x26x10	1	0.74	330
OA1750/650-U4X	109	2,189	68x25x28x10	1	0.74	396
OA1750/900-U6X	185	3,708	68x35x30x10	1.37	1.02	517
OA2000/500-U4X	92	1,836	80x20x30x10	1	0.74	396
OA2000/900-U6X	155	3,107	80x35x30x10	1.37	1.02	550
OA2500/400-U4X	72	1,448	98x16x28x10	1	0.74	385
OA2500/900-U6X	118	2,366	98x35x30x10	1.37	1.02	594
OA3000/400-U6X	111	2,225	117x16x30x10	1.37	1.02	440
OA3000/900-U10X	169	3,390	117x35x33x10	2.2	1.66	792
OA4000/400-U10X	97	1,942	156x16x33x10	2.2	1.66	671
OA4000/650-U25X	194	3,884	156x25x38x10	4	3	1,628
OA4000/900-U23W	274	5,473	156x35x40x10	4.5	3.34	1,861
OA4000/1600-U35W	512	10,240	156x62x43x10	6	4.6	2,809
OA5000/400-U16X	124	2,472	195x16x33x10	3	2.2	869
OA5000/650-U25X	168	3,354	195x25x38x10	4	3	1,804
OA5000/900-U37X	291	5,826	195x35x41x10	9	6.6	2,094
OA5000/1600-U53W	565	11,299	195x156x47x10	7	5.48	3,997
OA6000/500-U25X	132	2,648	234x20x38x10	4	3	1,628
OA6000/650-U37X	221	4,414	234x25x41x10	9	6.6	2,006
OA6000/900-U37X	256	5,120	234x35x41x10	9	6.6	2,325
OA6000/1600-U71W	618	12,359	234x156x49x10	10	7.74	4,730

* MAXIMUM RATES APPLY ONLY WHEN FEEDER IS EQUIPPED WITH EXTENDED SKIRT BOARDS. CONSULT FACTORY.

* CAPACITY: SELECTION BASED ON: MATERIAL BEING 100 lbs./cu.ft. DENSITY INCREASED BED HEIGHT FOR MAXIMUM 8° DECLINE

CAPACITIES
* SEE NOTES

* NOTES:
CAPACITY = 100 lbs./cu.ft.
VOLTAGE = 230-460/3/60
FEED RATE CONTROLLER AVAILABLE

- a) CARBON OR STAINLESS STEEL CONTACT PARTS. CARBON STEEL EXTERNAL PARTS.
- b) ISOLATORS AVAILABLE AS COIL SPRING OR RUBBER PAD, COMPRESSION OR TENSION MOUNTING.
- c) UNBALANCED VIBRATORY DRIVES SUPPLIED AS SHOWN.
- d) CONTROLLABILITY BY VARIABLE FREQUENCY CONTROLLER OFFERING STEPLESS VARIABLE THROUGHPUT.
- e) DIMENSIONS STATED ARE NOMINAL AND ARE NOT TO BE USED FOR CONSTRUCTION PURPOSES.

VIBRA SCREW INCORPORATED
755 UNION BLVD., TOTOWA N.J. 07512
PH: (973) 256-7410 FAX: (973) 256-7567
E-Mail: info@vibrascrewinc.com * www.vibrascrewinc.com